

No. 14449

MULTILATERAL

Customs Convention on containers, 1972 (with annexes and protocol of signature). Concluded at Geneva on 2 December 1972

Authentic texts: English, French, Chinese, Russian and Spanish.

Registered ex officio on 6 December 1975.

Ratification by Canada

Registered ex officio on 10 December 1975.

MULTILATÉRAL

Convention douanière relative aux conteneurs, 1972 (avec annexes et protocole de signature). Conclue à Genève le 2 décembre 1972

Textes authentiques : anglais, français, chinois, russe et espagnol.

Enregistrée d'office le 6 décembre 1975.

Ratification du Canada

Enregistrée d'office le 10 décembre 1975.

CUSTOMS CONVENTION¹ ON CONTAINERS, 1972

PREAMBLE

The Contracting Parties,
Desiring to develop and facilitate international carriage by container,
Have agreed as follows:

CHAPTER I. GENERAL

Article 1. For the purposes of the present Convention:

(a) The term "import duties and taxes" shall mean Customs duties and all other duties, taxes, fees and other charges which are collected on, or in connexion with, the importation of goods, but not including fees and charges limited in amount to the approximate cost of services rendered;

(b) The term "temporary admission" shall mean temporary importation, subject to re-exportation, free of import duties and taxes and free of import prohibitions and restrictions;

(c) The term "container" shall mean an article of transport equipment (lift-van, movable tank or other similar structure):

(i) fully or partially enclosed to constitute a compartment intended for containing goods;

1 The text published herein incorporates those corrections that were effected in accordance with the Procès-Verbal of rectification established by the Secretary-General of the United Nations, as the depositary, on 29 April 1974. The corrections had been proposed by the Secretary-General on 19 November and 12 December 1973 and were deemed to have been accepted, in conformity with the established practice, in the absence of objections from the signatories and Contracting Parties within 90 days of the proposals.

Came into force in respect of the following States on 6 December 1975, i.e. nine months from the date of the deposit of the fifth instrument or ratification, accession, acceptance or approval, in accordance with article 19 (1):

Table with 2 columns: State and Date of deposit of the instrument of ratification, accession (a), acceptance (A) or approval (AA). Includes Hungary, Czechoslovakia*, German Democratic Republic*, New Zealand, Romania*, and Spain*.

Subsequently, the Convention came into force for the States listed below, six months from the date of the deposit of their instrument of ratification, accession, acceptance or approval with the Secretary-General of the United Nations, in accordance with article 19 (2):

Table with 2 columns: State and Date of deposit of the instrument of ratification, accession (a), acceptance (A) or approval (AA). Includes Australia.

* See p. 253 of this volume for the texts of the declarations and reservations made upon ratification or accession.

- (ii) of a permanent character and accordingly strong enough to be suitable for repeated use;
- (iii) specially designed to facilitate the carriage of goods, by one or more modes of transport, without intermediate reloading;
- (iv) designed for ready handling, particularly when being transferred from one mode of transport to another;
- (v) designed to be easy to fill and to empty; and
- (vi) having an internal volume of one cubic metre or more;

the term "container" shall include the accessories and equipment of the container, appropriate for the type concerned, provided that such accessories and equipment are carried with the container. The term "container" shall not include vehicles, accessories or spare parts of vehicles, or packaging;

(d) The term "internal traffic" shall mean the carriage of goods loaded in the territory of a State for unloading at a place within the territory of the same State;

(e) The term "person" shall mean both natural and legal persons;

(f) The term "operator" of a container shall mean the person who, whether or not its owner, has effective control of its use.

Article 2. In order to benefit from the facilities provided for in the present Convention, containers shall be marked in the manner prescribed in annex 1.

CHAPTER II. TEMPORARY ADMISSION

(a) *Temporary admission facilities*

Article 3. 1. Subject to the conditions laid down in articles 4 to 9, each Contracting Party shall grant temporary admission to containers, whether loaded with goods or not.

2. Each Contracting Party reserves the right not to grant temporary admission to containers which have been the subject of purchase, hire-purchase, lease or a contract of a similar nature, concluded by a person resident or established in its territory.

Article 4. 1. Containers granted temporary admission shall be re-exported within three months from the date of importation. However, this period may be extended by the competent Customs authorities.

2. Containers granted temporary admission may be re-exported through any competent Customs office, even if that office is different from the one of temporary admission.

Article 5. 1. Notwithstanding the requirement of re-exportation laid down in article 4, paragraph 1, seriously damaged containers shall not be required to be re-exported provided that, in conformity with the regulations of the country concerned and as the Customs authorities of that country may authorize, the containers are:

- (a) subjected to the import duties and taxes to which they are liable at the time when, and in the condition in which, they are presented; or
- (b) abandoned, free of all expense, to the competent authorities of that country; or
- (c) destroyed, under official supervision, at the expense of the parties concerned, any parts or materials salvaged being subjected to the import duties and taxes to which they are liable at the time when, and in the condition in which, they are presented.

2. If, as a result of a seizure, a container granted temporary admission cannot be re-exported, the requirement of re-exportation laid down in article 4, paragraph 1, shall be suspended for the duration of the seizure.

(b) *Temporary admission procedures*

Article 6. Without prejudice to the provisions of articles 7 and 8, containers temporarily imported under the terms of the present Convention shall be granted temporary admission without the production of Customs documents being required on their importation and re-exportation and without the furnishing of a form of security.

Article 7. Each Contracting Party may require that the temporary admission of containers be subject to compliance with all, or part of, the provisions of the procedure for temporary admission of containers, set out in annex 2.

Article 8. Each Contracting Party shall retain the right, when the provisions of article 6 cannot be applied, to require the furnishing of a form of security and/or the production of Customs documents on the importation or re-exportation of the container.

(c) *Conditions of use of containers granted temporary admission*

Article 9. 1. Contracting Parties shall permit containers granted temporary admission under the terms of the present Convention to be used for the carriage of goods in internal traffic, in which case each Contracting Party shall be entitled to impose one or more of the conditions set out in annex 3.

2. The facility provided for the paragraph 1 shall be granted without prejudice to the regulations in force in the territory of each Contracting Party regarding vehicles either drawing or carrying containers.

(d) *Special cases*

Article 10. 1. Temporary admission shall be granted to component parts intended for the repair of temporarily admitted containers.

2. Replaced parts not re-exported shall, in conformity with the regulations of the country concerned and as the Customs authorities of that country may authorize, be:

- (a) subjected to the import duties and taxes to which they are liable at the time when, and in the condition in which they are presented; or
- (b) abandoned, free of all expense, to the competent authorities of that country; or
- (c) destroyed, under official supervision, at the expense of the parties concerned.

3. The provisions of articles 6, 7 and 8 shall be applicable *mutatis mutandis* to temporary admission of component parts, referred to in paragraph 1.

Article 11. 1. The Contracting Parties agree to grant temporary admission to accessories and equipment of temporarily admitted containers, which are either imported with a container to be re-exported separately or with another container, or imported separately to be re-exported with a container.

2. The provisions of article 3, paragraph 2, and articles 4, 5, 6, 7 and 8 shall be applicable *mutatis mutandis* to the temporary admission of accessories and equipment of containers, referred to in paragraph 1. Such accessories and equipment may be used in internal traffic under the terms of article 9, paragraph 1, when carried with a container covered by the provisions of the said paragraph.

CHAPTER III. APPROVAL OF CONTAINERS FOR TRANSPORT UNDER CUSTOMS SEAL

Article 12. 1. To qualify for approval for transport of goods under Customs seal, containers shall comply with the provisions of the Regulations set out in annex 4.

2. Approval shall be granted under one of the procedures laid down in annex 5.

3. Containers approved by a Contracting Party for the transport of goods under Customs seal shall be accepted by the other Contracting Parties for any system of international carriage involving such sealing.

4. Each Contracting Party reserves the right to refuse to recognize the validity of the approval of containers which are found not to meet the conditions set forth in annex 4. Nevertheless, Contracting Parties shall avoid delaying traffic when the defects found are of minor importance and do not involve any risk of smuggling.

5. Before it is used again for the transport of goods under Customs seal, any container, the approval of which is no longer recognized, shall be either restored to the condition which had justified its approval or presented for reapproval.

6. Where a defect appears to have existed when the container was approved, the competent authority responsible for that approval shall be informed.

7. If it is found that containers approved for the transport of goods under Customs seal in accordance with the procedures described in annex 5, paragraph 1 (a) and (b), do not in fact comply with the technical conditions of annex 4, the authority which granted the approval shall take such steps as are necessary to bring the containers up to the required technical condition or to withdraw the approval.

CHAPTER IV. EXPLANATORY NOTES

Article 13. The explanatory notes set out in annex 6 interpret some provisions of the present Convention and its annexes.

CHAPTER V. MISCELLANEOUS PROVISIONS

Article 14. The present Convention shall not prevent the application of greater facilities which Contracting Parties grant or may wish to grant either by unilateral provisions or in virtue of bilateral or multilateral agreements provided that such facilities do not impede the application of the provisions of the present Convention.

Article 15. Any contravention of the provisions of the present Convention, and any substitution, false declaration, or act having the effect of causing a person or an article improperly to benefit from the provisions of the present Convention, may render the offender liable, in the country where the offence was committed, to the penalties prescribed by the laws of that country.

Article 16. The Contracting Parties shall communicate to one another, on request, the information necessary for implementing the provisions of the present Convention, and more particularly information relating to the approval of containers and to the technical characteristics of their design.

Article 17. The annexes to the present Convention and the Protocol of Signature form an integral part of the Convention.

CHAPTER VI. FINAL CLAUSES

Article 18. SIGNATURE, RATIFICATION, ACCEPTANCE, APPROVAL AND ACCESSION. 1. The present Convention shall be open for signature until 15 January 1973 at the Office of the United Nations at Geneva and subsequently from 1 February 1973 until 31 December 1973 inclusive at the Headquarters of the United Nations at New York by all States Members of the United Nations or of any of the specialized agencies or of the International Atomic Energy Agency or parties to the Statute of the International Court of Justice, and by any other State invited by the General Assembly of the United Nations to become a Party to the present Convention.

2. The present Convention is subject to ratification, acceptance or approval by States which have signed it.

3. The present Convention shall remain open for accession by any State referred to in paragraph 1.

4. Instruments of ratification, acceptance, approval or accession shall be deposited with the Secretary-General of the United Nations.

Article 19. ENTRY INTO FORCE. 1. The present Convention shall enter into force nine months from the date of the deposit of the fifth instrument of ratification, acceptance, approval or accession.

2. For each State ratifying, accepting, approving or acceding to the present Convention after the deposit of the fifth instrument of ratification, acceptance, approval or accession, the present Convention shall enter into force six months after the date of the deposit by such State of its instrument of ratification, acceptance, approval or accession.

3. Any instrument of ratification, acceptance, approval or accession deposited after the entry into force of an amendment to the present Convention shall be deemed to apply to the Convention as amended.

4. Any such instrument deposited after an amendment has been accepted but before it has entered into force shall be deemed to apply to the Convention as amended on the date when the amendment enters into force.

Article 20. TERMINATION OF THE OPERATION OF THE CUSTOMS CONVENTION ON CONTAINERS (1956). 1. Upon its entry into force, the present Convention shall terminate and replace, in relations between the Parties to the present Convention, the Customs Convention on Containers, opened for signature at Geneva on 18 May 1956.¹

2. Notwithstanding the provisions of article 12, paragraphs 1, 2 and 4, containers approved under the provisions of the Customs Convention on Containers (1956) or under the agreements arising therefrom concluded under the auspices of the United Nations, shall be accepted by any Contracting Party for the transport of goods under Customs seal, provided that they continue to comply with the relevant conditions under which they were originally approved. For this purpose certificates of approval issued under the provisions of the Customs Convention on Containers (1956) could be replaced by an approval plate prior to the expiry of their validity.

Article 21. PROCEDURES FOR AMENDING THE PRESENT CONVENTION INCLUDING ITS ANNEXES. 1. Any Contracting Party may propose one or more amendments to the present Convention. The text of any proposed amendment shall be notified to the Customs

¹ United Nations, *Treaty Series*, vol. 338, p. 103.

Co-operation Council which shall communicate it to all Contracting Parties and inform the States referred to in article 18 which are not Contracting Parties. The Customs Co-operation Council shall also, in accordance with the rules of procedure set out in annex 7, convene an Administrative Committee.

2. Any amendment proposed in accordance with the preceding paragraph, or prepared during the meeting of the Committee, and adopted by a two-thirds majority of those present and voting in the Committee, shall be communicated to the Secretary-General of the United Nations.

3. The Secretary-General of the United Nations shall communicate the amendment to the Contracting Parties for their acceptance, and to the States referred to in article 18 which are not Contracting Parties for their information.

4. Any proposed amendment communicated in accordance with the preceding paragraph shall be deemed to be accepted if no Contracting Party expressed an objection within a period of 12 months following the date of communication of the proposed amendment by the Secretary-General of the United Nations.

5. The Secretary-General of the United Nations shall, as soon as possible, notify all Contracting Parties and the States referred to in article 18 which are not Contracting Parties whether an objection to the proposed amendment has been expressed. If an objection to the proposed amendment has been communicated to the Secretary-General of the United Nations the amendment shall be deemed not to have been accepted and shall be of no effect whatever. If no such objection has been communicated to the Secretary-General of the United Nations the amendment shall enter into force for all Contracting Parties three months after the expiry of the period of 12 months referred to in the preceding paragraph, or on such later date as may have been determined by the Administrative Committee at the time of its adoption.

6. Any Contracting Party may, by notification to the Secretary-General of the United Nations, request that a conference be convened for the purpose of reviewing the present Convention. The Secretary-General of the United Nations shall notify all Contracting Parties of the request and a revision conference shall be convened by the Secretary-General of the United Nations if, within a period of four months following the date of notification by the Secretary-General of the United Nations, not less than one-third of the Contracting Parties notify him of their concurrence with the request. Such conference shall also be convened by the Secretary-General of the United Nations upon notification of a request by the Administrative Committee. The Administrative Committee shall make such a request if agreed to by a majority of those present and voting in the Committee. If a conference is convened in accordance with this paragraph, the Secretary-General of the United Nations shall invite to it all States referred to in article 18.

Article 22. SPECIAL PROCEDURE FOR AMENDING ANNEXES 1, 4, 5 AND 6.

1. Independently of the amendment procedures set out in article 21, annexes 1, 4, 5 and 6 may be amended as provided for in this article and in accordance with the rules of procedure set out in annex 7.

2. Any Contracting Party shall communicate proposed amendments to the Customs Co-operation Council. The Customs Co-operation Council shall bring them to the attention of the Contracting Parties and of the States referred to in article 18 which are not Contracting Parties, and shall convene the Administrative Committee.

3. Any amendment proposed in accordance with the preceding paragraph or prepared during the meeting of the Committee, and adopted by a two-thirds majority of those present and voting in the Committee, shall be communicated to the Secretary-General of the United Nations.

4. The Secretary-General of the United Nations shall communicate the amendment to the Contracting Parties for their acceptance, and to the States referred to in article 18 which are not Contracting Parties for their information.

5. The amendment shall be deemed to have been accepted unless one-fifth or five of the Contracting Parties, whichever number is less, have notified the Secretary-General of the United Nations, within a period of 12 months from the date on which the proposed amendment has been communicated by the Secretary-General of the United Nations to the Contracting Parties, that they object to the proposal. A proposed amendment which is not accepted shall be of no effect whatever.

6. If an amendment is accepted, it shall enter into force, for all Contracting Parties which did not object to the proposed amendment, three months after the expiry of the period of 12 months referred to in the preceding paragraph, or on such later date as may have been determined by the Administrative Committee at the time of its adoption. At the time of adoption of an amendment, the Committee may also provide that, during a transitional period, the existing annexes shall remain in force, wholly or in part, concurrently with such amendment.

7. The Secretary-General of the United Nations shall notify the date of the entry into force of the amendment to the Contracting Parties and inform the States referred to in article 18 which are not Contracting Parties.

Article 23. DENUNCIATION. Any Contracting Party may denounce the present Convention by effecting the deposit of an instrument with the Secretary-General of the United Nations. The denunciation shall take effect one year from the date of such deposit with the Secretary-General of the United Nations.

Article 24. TERMINATION. The present Convention shall cease to be in force if the number of Contracting Parties is less than five for any period of twelve consecutive months.

Article 25. SETTLEMENT OF DISPUTES. 1. Any dispute between two or more Contracting Parties concerning the interpretation or application of the present Convention which cannot be settled by negotiation or other means of settlement shall, at the request of one of them, be referred to an arbitration tribunal composed as follows: each party to the dispute shall appoint an arbitrator and these two arbitrators shall appoint a third arbitrator, who shall be Chairman. If three months after receipt of a request, one of the parties has failed to appoint an arbitrator or if the arbitrators have failed to elect the chairman, any of the parties may request the Secretary-General of the United Nations to appoint an arbitrator or the chairman of the arbitration tribunal.

2. The decision of the arbitration tribunal established under the provisions of paragraph 1 shall be binding on the parties to the dispute.

3. The arbitration tribunal shall determine its own rules of procedure.

4. Decisions of the arbitration tribunal, both as to its procedure and its place of meeting and as to any controversy laid before it, shall be taken by majority vote.

5. Any controversy which may arise between the parties to the dispute as regards the interpretation and execution of the award may be submitted by any of the parties for judgement to the arbitration tribunal which made the award.

Article 26. RESERVATIONS. 1. Reservations to the present Convention shall be permitted, excepting those relating to the provisions of articles 1-8, 12-17, 20, 25 and of the present article, and those relating to the provisions contained in the annexes, on condition that such reservations are communicated in writing and, if communicated before

the deposit of the instrument of ratification, acceptance, approval or accession, are confirmed in that instrument. The Secretary-General of the United Nations shall communicate such reservations to all States referred to in article 18.

2. Any reservation made in accordance with paragraph 1:

- (a) modifies for the Contracting Party which made the reservation the provisions of the present Convention to which the reservation relates, to the extent of the reservation; and
- (b) modifies those provisions to the same extent for the other Contracting Parties in their relations with the Contracting Party which entered the reservation.

3. Any Contracting Party which has communicated a reservation under paragraph 1 may withdraw it at any time by notification to the Secretary-General of the United Nations.

Article 27. NOTIFICATION. In addition to the notifications and communications provided for in articles 21, 22 and 26, the Secretary-General of the United Nations shall notify all the States referred to in article 18 of the following:

- (a) signatures, ratifications, acceptances, approvals and accessions under article 18;
- (b) the dates or entry into force of the present Convention in accordance with article 19;
- (c) the date of entry into force of amendments to the present Convention in accordance with articles 21 and 22;
- (d) denunciations under article 23;
- (e) the termination of the present Convention under article 24.

Article 28. AUTHENTIC TEXTS. The original of the present Convention, of which the Chinese, English, French, Russian and Spanish texts are equally authentic, shall be deposited with the Secretary-General of the United Nations, who shall communicate certified true copies to all States referred to in article 18.

IN WITNESS WHEREOF the undersigned Plenipotentiaries, being duly authorized thereto by their respective Governments, have signed the present Convention.

DONE at Geneva this second day of December one thousand nine hundred and seventy-two.

ANNEX 1

PROVISIONS CONCERNING THE MARKING OF CONTAINERS

1. The following information shall be durably marked in an appropriate and clearly visible place on containers:

- (a) the identification of the owner or principal operator;
- (b) the identification marks and numbers of the container, given by the owner or operator; and
- (c) the tare weight of the container, including all its permanently fixed equipment.

2. The country to which the container belongs may be shown either in full or by the distinguishing sign used to indicate the country of registration of motor vehicles in international road traffic. Each country may subject the use of its name or distinguishing sign on the container to its national legislation. The identity of the owner or operator may be shown either by his full name or his initials, provided the latter constitute an established identification, symbols such as emblems or flags being excluded.

3. Containers approved for transport under Customs seal shall, in addition, bear the following details which shall also be put on the approval plate in accordance with the provisions of annex 5:

- (a) the manufacturer's serial number (manufacturer's number); and
- (b) if they have been approved by design type, the identification numbers or letters of the type.

ANNEX 2

TEMPORARY ADMISSION PROCEDURE UNDER ARTICLE 7 OF THE PRESENT CONVENTION

1. For the purpose of applying the provisions of article 7 of the present Convention, each Contracting Party shall use, for checking movements of containers granted temporary admission, the records kept by the owners or operators or their representatives.

2. The following provisions shall be applied:

- (a) the owner or operator of the containers will be represented in the country in which the containers are to be granted temporary admission;
- (b) the owner or operator or the representative of either will undertake in writing:
 - (i) to supply to the Customs authorities of the said country, at their request, detailed information concerning the movements of each container granted temporary admission including the dates and places of entry into and exit from of the said country;
 - (ii) to pay such import duties and taxes as may be required in cases where the conditions of temporary admission have not been fulfilled.

ANNEX 3

USE OF CONTAINERS IN INTERNAL TRAFFIC

Each Contracting Party shall be entitled to impose the following conditions on the use, within its territory, as provided for in article 9 of the present Convention, of containers in internal traffic:

- (a) the journey shall bring the container by a reasonably direct route to, or nearer to, the place where export cargo is to be loaded or from where the container is to be exported empty;
- (b) the container will be used only once in internal traffic before being re-exported.

ANNEX 4

REGULATIONS ON TECHNICAL CONDITIONS APPLICABLE TO CONTAINERS WHICH MAY BE ACCEPTED FOR INTERNATIONAL TRANSPORT UNDER CUSTOMS SEAL

Article 1. BASIC PRINCIPLES

Approval for the international transport of goods under Customs seal may be granted only to containers constructed and equipped in such a manner that:

- (a) no goods can be removed from, or introduced into, the sealed part of the container without leaving visible traces of tampering or without breaking the Customs seal;
- (b) Customs seals can be simply and effectively affixed to them;
- (c) they contain no concealed spaces where goods may be hidden;
- (d) all spaces capable of holding goods are readily accessible for Customs inspection.

Article 2. STRUCTURE OF CONTAINERS

1. To meet the requirements of article 1 of these Regulations:

- (a) the constituent parts of the container (sides, floor, doors, roof, uprights, frames, cross-pieces, etc.) shall be assembled either by means of devices which cannot be removed and replaced from the outside without leaving visible traces or by such methods as will produce a structure which cannot be modified without leaving visible traces. When the sides, floor, doors and roof are made up of various components, these shall meet the same requirements and be of sufficient strength;
- (b) doors and all other closing systems (including stopcocks, manhole-covers, flanges, etc.) shall be fitted with a device on which Customs seals can be fixed. This device must be such that it cannot be removed and replaced from outside the container without leaving visible traces, or the door or fastening be opened without breaking the Customs seals. The latter shall be adequately protected. Opening roofs shall be permitted;
- (c) apertures for ventilation and drainage shall be provided with a device preventing access to the interior of the container. This device must be such that it cannot be removed and replaced from outside the container without leaving visible traces.

2. Notwithstanding the provisions of article 1 (c) of these Regulations, constituent parts of the container which, for practical reasons, have to include empty spaces (for example, between the partitions of a double wall) shall be permitted. In order that the said spaces cannot be used to conceal goods:

- (i) it shall not be possible to remove and replace the lining inside the container without leaving visible traces; or
- (ii) the number of the said spaces shall be kept to a minimum and these spaces shall be readily accessible for Customs inspection.

Article 3. CONTAINERS CAPABLE OF BEING FOLDED OR DISMANTLED

Containers capable of being folded or dismantled shall be subject to the provisions of articles 1 and 2 of these Regulations; in addition, they shall be fitted with a bolting system which locks the various parts together once the container has been erected. This bolting system must be capable of being sealed by the Customs if it is on the outside of the container when the latter has been erected.

Article 4. SHEETED CONTAINERS

1. Where applicable, the provisions of articles 1, 2 and 3 of these Regulations shall apply to sheeted containers. In addition, these containers shall conform to the provisions of this article.

2. The sheet shall be either of strong canvas or of plastic-covered or rubberized cloth, which shall be of sufficient strength and unstretchable. It shall be in good condition and made up in such a way that once the closing device has been secured, it is impossible to gain access to the load without leaving visible traces.

3. If the sheet is made up of several pieces, their edges shall be folded into one another and sewn together with two seams at least 15 mm apart. These seams shall be made as shown in sketch No. 1 appended to these Regulations; however, where in the case of certain parts of the sheet (such as flaps at the rear and reinforced corners) it is not possible to assemble the pieces in that way, it shall be sufficient to fold the edge of the top section and make the seams as shown in sketch No. 2 appended to these Regulations. One of the seams shall be visible only from the inside and the colour of the thread used for that seam shall be clearly different from the colour of the sheet itself and from the colour of the thread used for the other seam. All seams shall be machine-sewn.

4. If the sheet is of plastic-covered cloth, and is made up of several pieces, the pieces may alternatively be welded together in the manner shown in sketch No. 3 appended to these Regulations. The edges of the pieces shall overlap by at least 15 mm. The pieces shall be fused together over

the whole width of the overlap. The edge of the outer sheet shall be covered with a band of plastic material at least 7 mm wide, affixed by the same welding process. The plastic band and a width of at least 3 mm on each side shall have a well-marked uniform relief stamped on it. The pieces shall be welded in such a way that they cannot be separated and rejoined without leaving visible traces.

5. Repairs shall be made in accordance with the method described in sketch No. 4 appended to these Regulations; the edges shall be folded into one another and sewn together with two visible seams at least 15 mm apart; the colour of the thread visible from the inside shall be different from that of the thread visible from the outside and from that of the sheet itself; all seams shall be machine-sewn. When a sheet which has been damaged near the edges is repaired by replacing the damaged part by a patch, the seam can also be made in accordance with the provisions of paragraph 3 of this article and sketch No. 1 appended to these Regulations. Sheets of plastic-covered cloth may alternatively be repaired in accordance with the method described in paragraph 4 of this article, but in that case the weld must be made on both sides of the sheet, the patch being fitted on the inside of the sheet.

6. (a) The sheet shall be fixed to the container in strict compliance with the conditions set forth in article 1 (a) and (b) of these Regulations. The following types of fastening shall be provided:

- (i) metal rings fixed to the container;
- (ii) eyelets in the edge of the sheet;
- (iii) a fastening passing through the rings above the sheet and visible from the outside for its entire length.

The sheet shall overlap solid parts of the container by at least 250 mm, measured from the centre of the securing rings, unless the system of construction of the container by itself prevents all access to the goods.

(b) When the edge of a sheet is to be permanently secured to a container, the joint shall be continuous and effected by means of solid devices.

7. The interval between rings and between eyelets shall not exceed 200 mm. The eyelets shall be reinforced.

8. The following fastenings shall be used:

- (a) steel wire rope of at least 3 mm diameter; or
- (b) a rope of hemp or sisal of at least 8 mm diameter encased in a transparent unstretchable plastic sheath.

Wire ropes may have a transparent unstretchable plastic sheath.

9. Each rope shall be in one piece and have a hard metal end-piece at each end. The fastener of each metal end-piece shall include a hollow rivet passing through the rope so as to allow the introduction of the thread or the strap of the Customs seal. The rope shall remain visible on either side of the hollow rivet so that it is possible to ensure that the rope is in one piece (see sketch No. 5 appended to these Regulations).

10. At the openings in the sheet, used for loading and unloading, the two edges of the sheet shall have an adequate overlap. They shall also be fastened by:

- (a) a flap sewn or welded in accordance with paragraphs 3 and 4 of this article;
- (b) rings and eyelets meeting the conditions of paragraph 7 of this article; and
- (c) a thong made of appropriate material, in one piece and unstretchable, at least 20 mm wide and 3 mm thick, passing through the rings and holding together the two edges of the sheet and the flap; the thong shall be secured inside the sheet and fitted with an eyelet to take the rope mentioned in paragraph 8 of this article.

A flap shall not be required if a special device, such as a baffle plate, is fitted, which prevents access to the goods without leaving visible traces.

11. The identification marks, which must appear on the container in accordance with annex 1, and the approval plate provided for in annex 5, shall in no circumstances be covered by the sheet.

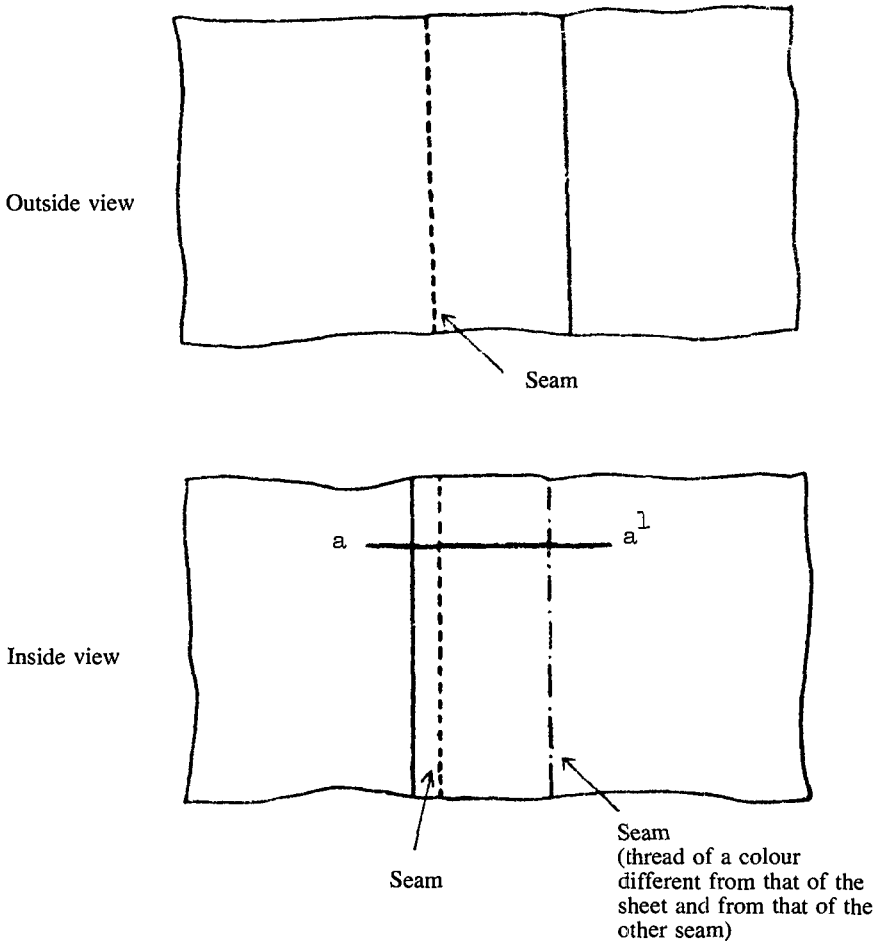
Article 5. TRANSITIONAL PROVISIONS

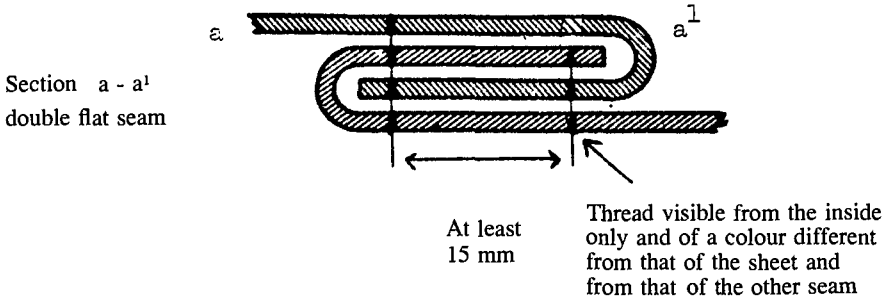
Until 1 January 1977, end-pieces shall be allowed which conform to sketch No. 5 appended to these Regulations, even if they include hollow rivets of a type previously accepted with holes of dimensions less than those given in the sketch.

ANNEX 4 — *Sketch No. 1*

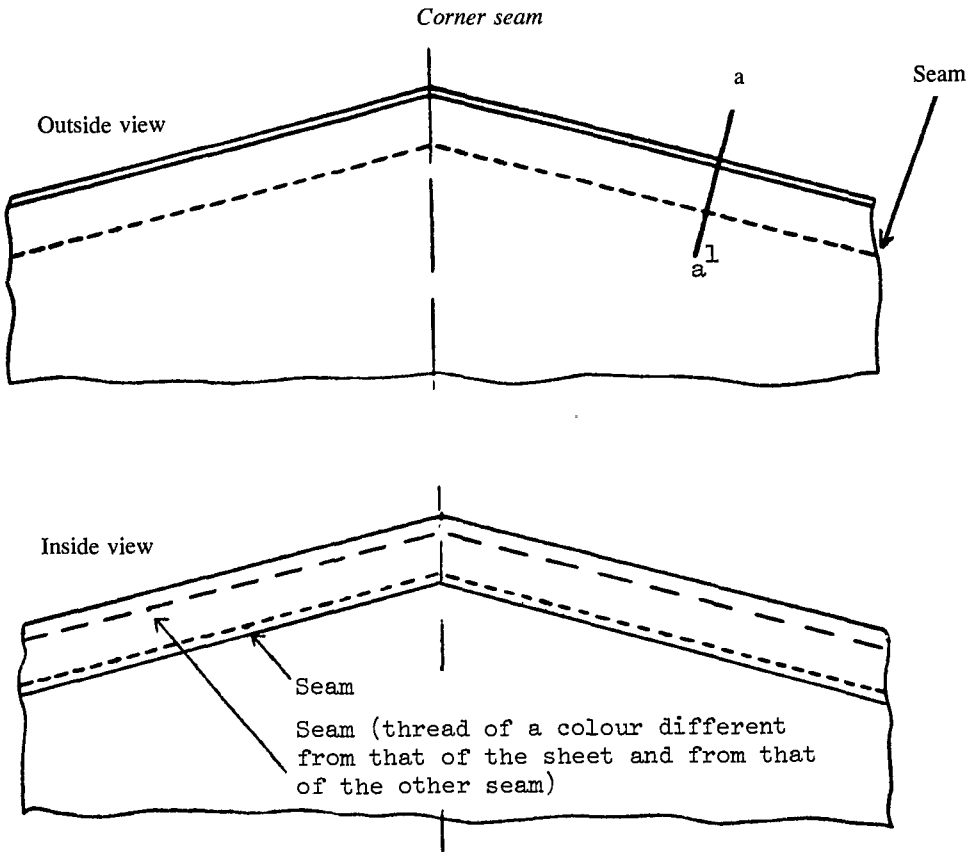
SHEETS MADE OF SEVERAL PIECES

Sewn together by means of seams

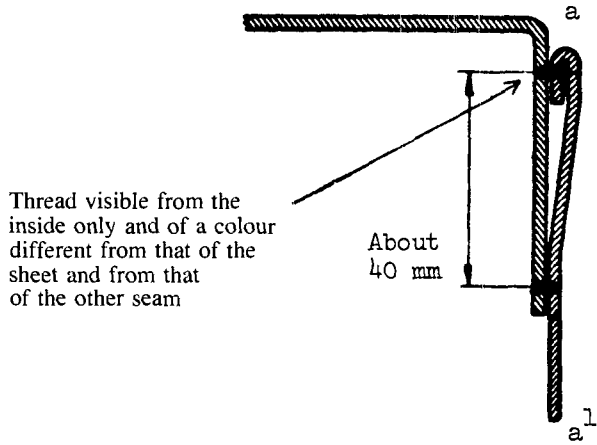




ANNEX 4 — Sketch No. 2
SHEETS MADE OF SEVERAL PIECES

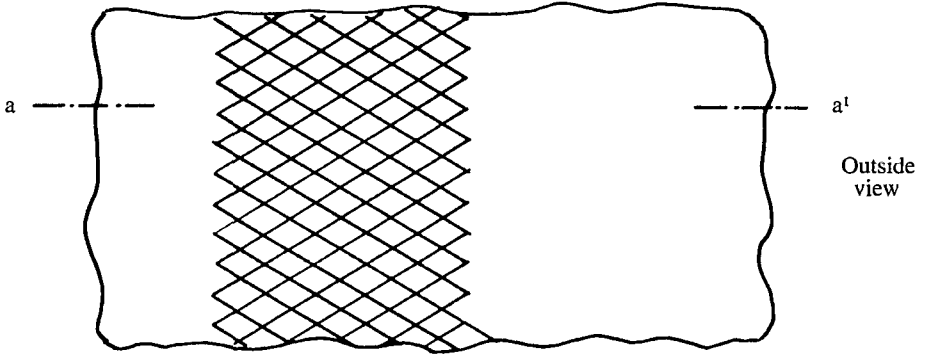


Section a - a¹

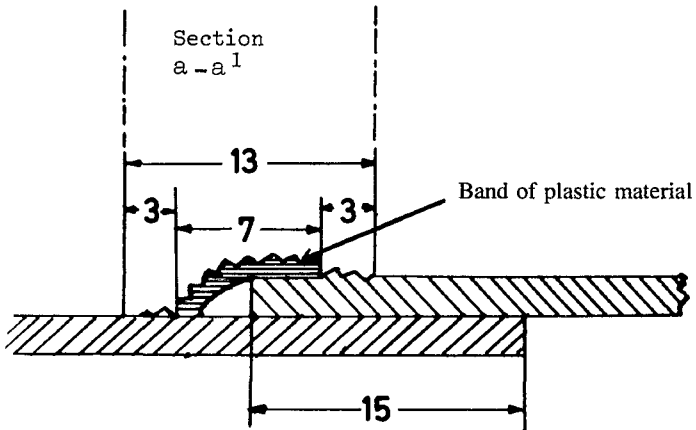


ANNEX 4 — Sketch No. 3
SHEETS MADE OF SEVERAL PIECES

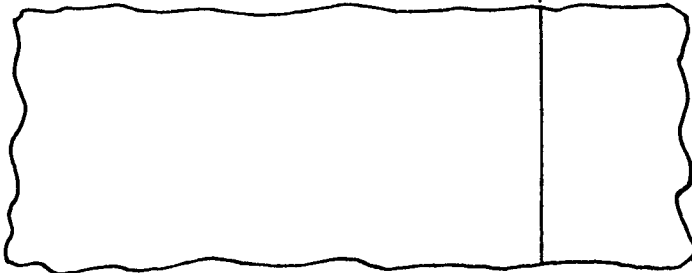
Welded together



Outside view



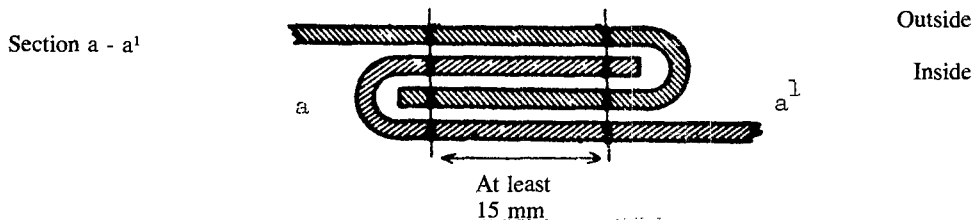
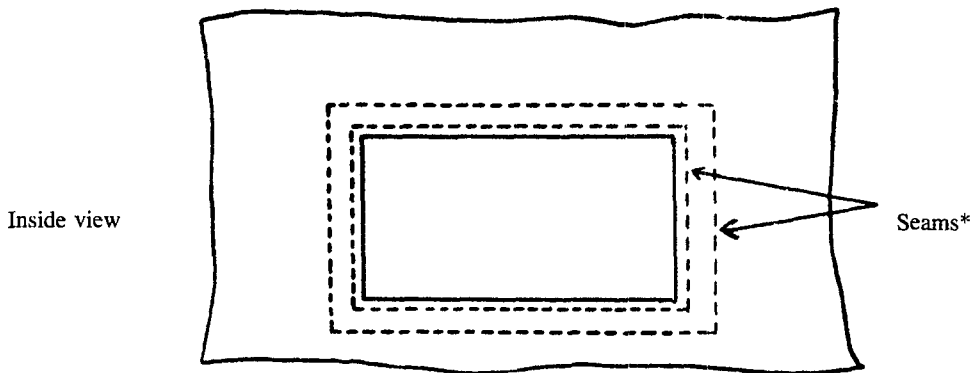
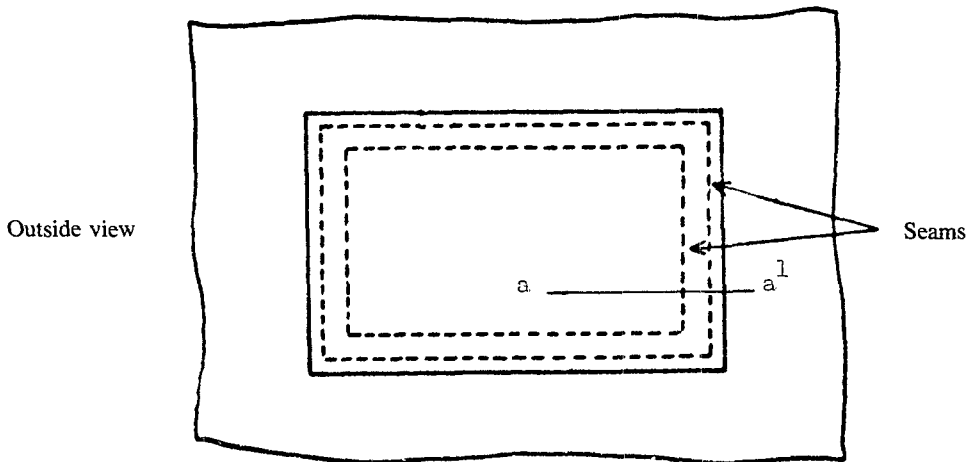
Section a - a¹
The figures shown are millimetres



Inside view

ANNEX 4 — Sketch No. 4

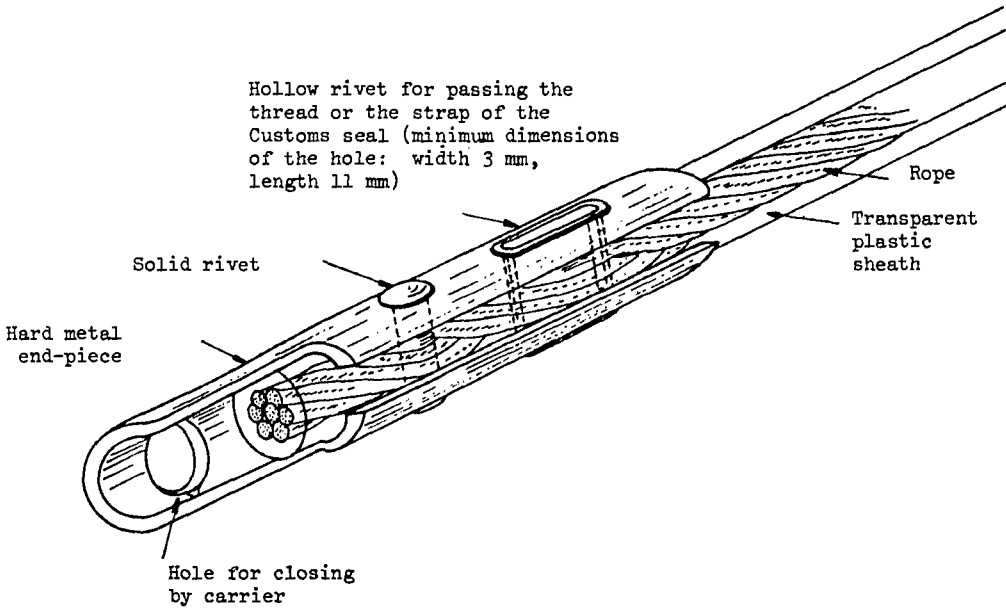
REPAIR OF THE SHEET



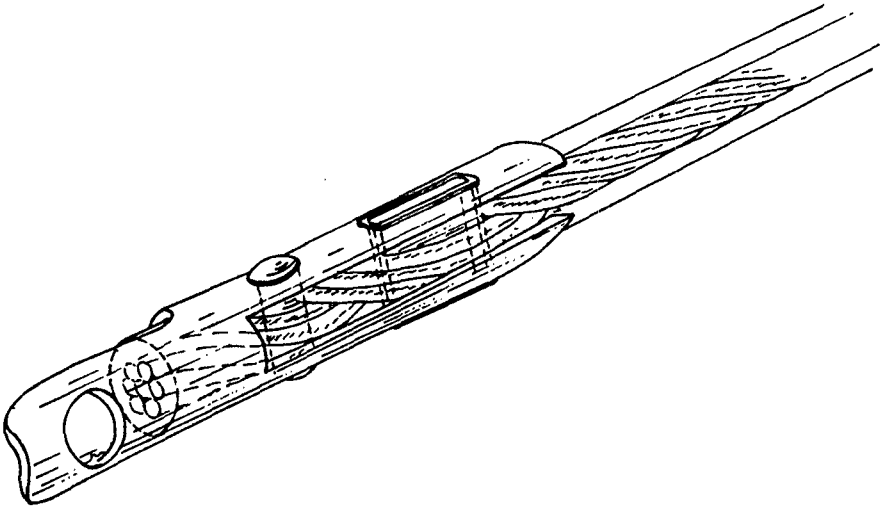
* Threads visible from the inside shall be of a colour different from that of the threads visible from the outside and from that of the sheet.

ANNEX 4 — Sketch No. 5

SPECIMEN OF END-PIECE



1. Side view: Front



2. Side view: Back

ANNEX 5

PROCEDURES FOR THE APPROVAL OF CONTAINERS COMPLYING WITH THE TECHNICAL CONDITIONS PRESCRIBED IN ANNEX 4

General

1. Containers may be approved for the transport of goods under Customs seal either:
 - (a) at the manufacturing stage, by design type (procedure for approval at the manufacturing stage); or
 - (b) at a stage subsequent to manufacture, either individually or in respect of a specified number of containers of the same type (procedure for approval at a stage subsequent to manufacture).

Provisions common to both approval procedures

2. The competent authority responsible for granting approval shall issue to the applicant, after approval, a certificate of approval valid, as the case may be, either for an unlimited series of containers of the approved type or for a specified number of containers.

3. The beneficiary of approval shall affix an approval plate to the approved container or containers before their use for the transport of goods under Customs seal.

4. The approval plate shall be affixed permanently and in a clearly visible place adjacent to any other approval plate issued for official purposes.

5. The approval plate, conforming to model No. I reproduced in appendix 1 to this annex, shall take the form of a metal plate measuring not less than 20 cm by 10 cm. The following particulars shall be stamped into or embossed on the plate or indicated on its surface in any other permanent and legible way, in at least the English or the French language:

- (a) the words "APPROVED FOR TRANSPORT UNDER CUSTOMS SEAL";
- (b) an indication of the country in which approval was granted either by name or by means of the distinguishing sign used to indicate the country of registration of motor vehicles in international road traffic, and the number (figures, letters, etc.) of the certificate of approval and the year of approval (e.g., "NL/26/73" means "Netherlands, Certificate of Approval No. 26, issued in 1973");
- (c) the serial number assigned to the container by the manufacturer (manufacturer's number);
- (d) if the container has been approved by type, the identification numbers or letters of the type of container.

6. If a container no longer complies with the technical conditions prescribed for its approval, it shall, before it can be used for the transport of goods under Customs seal, be restored to the condition which had justified its approval, so as to comply again with the said technical conditions.

7. If the essential characteristics of a container are changed, the container shall cease to be covered by the approval and shall be reapproved by the competent authority before it can be used for the transport of goods under Customs seal.

Special provisions for approval by design type at the manufacturing stage

8. Where the containers are manufactured by type series, the manufacturer may apply to the competent authority of the country of manufacture for approval by design type.

9. The manufacturer shall state in his application the identification numbers or letters which he assigns to the type of container to which his application for approval relates.

10. The application shall be accompanied by drawings and a detailed design specification of the container type to be approved.

11. The manufacturer shall give an undertaking in writing that he will:

- (a) produce to the competent authority such containers of the type concerned as that authority may wish to examine;
- (b) permit the competent authority to examine further units at any time during the production of the type series concerned;
- (c) advise the competent authority of any change, of whatever magnitude, in the design or specification before proceeding with such change;
- (d) mark the containers in a visible place with, in addition to the markings required on the approval plate, the identification numbers or letters of the design type and the serial number of the container in the type series (manufacturer's number);
- (e) keep a record of containers manufactured to the approved design type.

12. The competent authority shall state what changes, if any, must be made to the proposed design type so that approval may be granted.

13. No type-approval by design type shall be granted unless the competent authority has satisfied itself by examination of one or more containers manufactured to the design type concerned that containers of that type comply with the technical conditions prescribed in annex 4.

14. When a container type is approved there shall be issued to the applicant a single certificate of approval conforming to model No. II reproduced in appendix 2 to this annex and valid for all

containers manufactured in conformity with the specifications of the type so approved. Such certificate shall entitle the manufacturer to affix to every container of the type series an approval plate in the form prescribed in paragraph 5 of this annex.

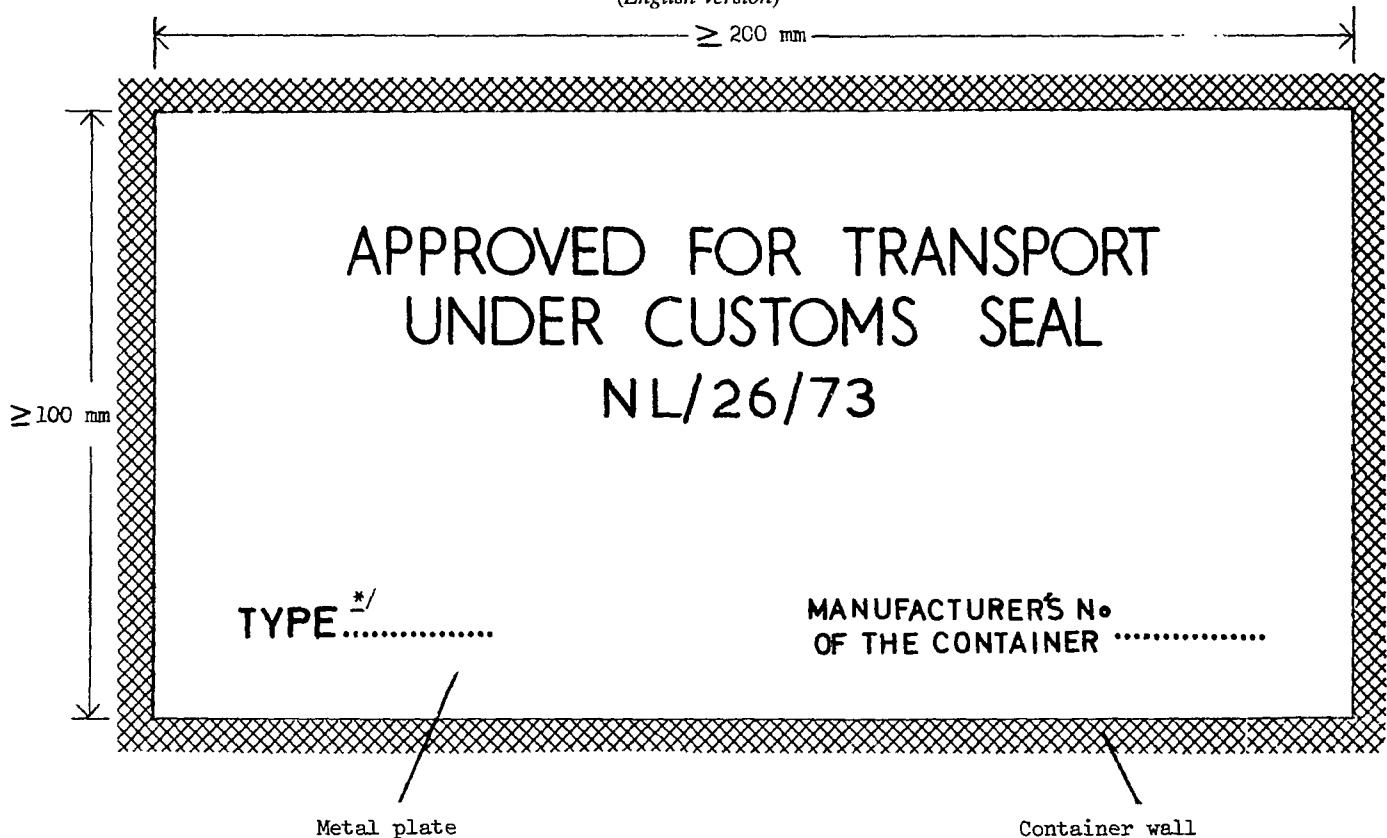
Special provisions for approval at a stage subsequent to manufacture

15. If approval has not been applied for at the manufacturing stage, the owner, the operator, or the representative of either, may apply for approval to the competent authority to which he is able to produce the container or containers and for which he seeks approval.

16. An application for approval submitted under paragraph 15 of this annex shall state the serial number (manufacturer's number) placed on each container by the manufacturer.

17. When the competent authority has ascertained that the container or containers comply with the technical conditions prescribed in annex 4, by examination of as many containers as it considers necessary, it shall issue a certificate or approval conforming to model No. III reproduced in appendix 3 to this annex and valid solely for the number of containers approved. Such certificate, which shall bear the manufacturer's serial number or numbers assigned to the container or containers to which it relates, shall entitle the applicant to affix to each container so approved the approval plate prescribed in paragraph 5 of this annex.

Appendix 1 to annex 5
Model No. 1 — Approval Plate
(English version)



* Only in case of approval by design type.

Appendix 2 to annex 5

Model No. II — Customs Convention on Containers, 1972

Certificate of Approval by Design Type

1. Certificate No.*
 2. This is to certify that the container design type described below has been approved and that containers manufactured to this type can be accepted for the transport of goods under Customs seal.
 3. Kind of container
 4. Identification number or letters of the design type
 5. Identification number of the working drawings
 6. Identification number of the design specifications
 7. Tare weight
 8. External dimensions in centimetres
 9. Essential characteristics of structure (nature of materials, kind of construction, etc.) . . .
.....
 10. This certificate is valid for all containers manufactured in conformity with the drawings and specifications referred to above.
 11. Issued to
- (manufacturer's name and address)*
- who is authorized to affix an approval plate to each container of the approved design type manufactured by him,
- at on 19
- (place)* *(date)*
- by
- (signature and stamp of issuing service or organization)*

(See notice overleaf)

IMPORTANT NOTICE

(Annex 5, paragraphs 6 and 7, to the Customs Convention on Containers, 1972)

6. If a container no longer complies with the technical conditions prescribed for its approval, it shall, before it can be used for the transport of goods under Customs seal, be restored to the condition which had justified its approval, so as to comply again with the said technical conditions.
7. If the essential characteristics of a container are changed, the container shall cease to be covered by the approval and shall be reappraised by the competent authority before it can be used for the transport of goods under Customs seal.

* Insert the letters and figures, which are to be marked on the approval plate (see paragraph 5 (b) of annex 5 to the Customs Convention on Containers, 1972).

Appendix 3 to annex 5

Model No. III — Customs Convention on Containers, 1972

Certificate of Approval Granted at a Stage Subsequent to Manufacture

- 1. Certificate No.*
- 2. This is to certify that the container (containers) specified below has (have) been approved for the transport of goods under Customs seal.
- 3. Kind of container(s)
- 4. Serial number(s) assigned to the container(s) by the manufacturer
- 5. Tare weight
- 6. External dimensions in centimetres
- 7. Essential characteristics of structure (nature of materials, kind of construction, etc.)
- 8. Issued to
(applicant's name and address)

who is authorized to affix an approval plate to the above-mentioned container(s),

at on 19
(place) (date)

by
(signature and stamp of issuing service or organization)

(See notice overleaf)

IMPORTANT NOTICE

(Annex 5, paragraphs 6 and 7, to the Customs Convention on Containers, 1972)

- 6. If a container no longer complies with the technical conditions prescribed for its approval, it shall, before it can be used for the transport of goods under Customs seal, be restored to the condition which had justified its approval, so as to comply again with the said technical conditions.
- 7. If the essential characteristics of a container are changed, the container shall cease to be covered by the approval and shall be reapproved by the competent authority before it can be used for the transport of goods under Customs seal.

* Insert the letters and figures, which are to be marked on the approval plate (see paragraph 5 (b) of annex 5 to the Customs Convention on Containers, 1972).

ANNEX 6

EXPLANATORY NOTES

Introduction

(i) In accordance with the provisions of article 13 of the present Convention, the explanatory notes interpret some provisions of the present Convention and of its annexes.

(ii) The explanatory notes do not modify the provisions of the present Convention or of its annexes but make their contents, meaning and scope more precise.

(iii) In particular, having regard to the principles laid down by the provisions of article 12 of the present Convention and of annex 4 thereto for the approval of containers for transport under Customs seal, the explanatory notes specify, where appropriate, the construction techniques to be accepted by the Contracting Parties as complying with those provisions. The explanatory notes may also specify which construction techniques, if any, do not comply with those provisions.

(iv) The explanatory notes provide a means of applying the provisions of the present Convention and of its annexes according to the development of technology and economic requirements.

*0. Main Text of the Convention**0.1 Article 1, sub-paragraph (c) (i) — Partially enclosed containers*

0.1.(c)(i)-1. The term “partially enclosed”, as applied to equipment in article 1, sub-paragraph (c)(i), relates to equipment generally consisting of a floor and a superstructure marking off a loading space equivalent to that of a closed container. The superstructure is generally made up of metal members forming the frame of a container. Containers of this type may also comprise one or more lateral or frontal walls. In some cases there is only a roof attached to the floor by uprights. This type of container is used in particular for the carriage of bulky goods (motor cars, for example).

Sub-paragraph (d) — Accessories and equipment of the container

0.1.(c)-1. The term “accessories and equipment of the container” shall cover in particular the following devices, even if they are removable:

- (a) equipment for controlling, modifying or maintaining the temperature inside the container;
- (b) small appliances, such as temperature or impact recorders, designed to indicate or record variations in environmental conditions and impact;
- (c) internal partitions, pallets, shelves, supports, hooks, and similar devices used for stowing goods.

*4. Annex 4**4.2. Article 2, sub-paragraph 1(a) — Assembly of constituent parts*

4.2.1(a)-1. (a) Where joining devices (rivets, screws, bolts and nuts etc.) are used, a sufficient number of such devices shall be inserted from outside, traverse the assembled constituent parts, protrude inside and there be firmly secured (e.g., riveted, welded, bushed, bolted, and riveted or welded on the nut). However, conventional rivets (i.e., rivets whose placing requires handling from both sides of the assembly of constituent parts) may also be inserted from the inside. Notwithstanding the above, container floors may be secured by means of self-tapping screws, or self-drilling rivets or rivets inserted by means of an explosive charge, when placed from inside and passing at right angles through the floor and the metallic crosspieces underneath, on condition, except in the case of self-tapping screws, that some of their ends be flush with the level of the outside part of the cross-piece or be welded on to it.

(b) The competent authority shall determine what joining devices, and how many of them, must fulfil the requirements of sub-paragraph (a) of this note; they shall do so by making sure that the constituent parts so assembled cannot be displaced without leaving visible traces. The choice and placing of other joining devices are not subject to any restriction.

(c) Joining devices which can be removed and replaced from one side without leaving visible traces, i.e., without requiring handling from both sides of the constituent parts to be assembled, shall not be allowed under sub-paragraph (a) of this note. Examples of such devices are expansion rivets, blind rivets and the like.

(d) The assembly methods described above shall apply to special containers, for example to insulated containers, refrigerated containers and tank containers in so far as they are not incompatible with the technical requirements which such containers must fulfil having regard to their use. Where, due to technical reasons, it is not practicable to secure parts in the manner described in sub-paragraph (a) of this note, the constituent parts may be joined by means of the devices mentioned in subparagraph (c) of this note provided that the joining devices used on the inner face of the wall cannot be tampered with from the outside.

Sub-paragraph 1(b) — Doors and other closing systems

4.2.1(b)-1. (a) The device on which Customs seals can be fixed must:

- (i) be secured by welding, or by not less than two joining devices conforming to sub-paragraph (a) of explanatory note 4.2.1.(a)-1; or
- (ii) be so designed that when the container has been closed and sealed the device cannot be removed without leaving visible traces; or
- (iii) incorporate holes of not less than 11 mm in diameter or slots of at least 11 mm in length by 3 mm in width.

(b) Butt hinges, strap hinges, hinge-pins and other devices for hanging doors and the like must be secured in conformity with the requirements of sub-paragraph (a) of this note. Moreover, the various components of such devices (e.g., hinge-plates, pins and swivels) must be so fitted that they cannot be removed or dismantled when the container is closed and sealed without leaving visible traces. However, where such a device is not accessible from outside, it will suffice if, when the door or the like has been closed and sealed, it cannot be detached from the device without leaving visible traces. Where a door or closure-device has more than hinges, only those two hinges nearest to the extremities of the door need be fixed in conformity with the requirements of sub-paragraph (a) (i) above.

(c) Containers comprising a large number of such closures as valves, stopcocks, manhole covers, flanges and the like must be designed so as to keep the number of Customs seals to a minimum. To this end, neighbouring closures must be interconnected by a common device requiring only one Customs seal, or must be provided with a cover meeting the same purpose.

(d) Containers with opening roofs must be constructed in such a manner as to permit sealing with a minimum number of Customs seals.

Sub-paragraph 1(c) — Ventilation apertures

4.2.1(c)-1. (a) Their greatest dimension must, in principle, not exceed 400 mm.

(b) Apertures permitting direct access to the goods must be obstructed by means of wire gauze or perforated metal screens (maximum dimension of holes: 3 mm in both cases) and protected by welded metal lattice work (maximum dimension of holes: 10 mm).

(c) Apertures not permitting direct access to the goods (e.g., because of elbow or baffle-plate systems) must be provided with the same devices, in which, however, the dimensions of the holes may be as much as 10 mm and 20 mm respectively.

(d) Where openings are made in sheets, the devices referred to in sub-paragraph (b) of this note must in principle be prescribed. However, blocking devices in the form of a perforated metal screen fitted outside, and wire or other gauze fitted inside, will be allowed.

Sub-paragraph 1(c) — Drainage apertures

4.2.1(c)-2. (a) Their greatest dimension must, in principle, not exceed 35 mm.

(b) Apertures permitting direct access to the goods must be provided with the devices described in sub-paragraph (b) of explanatory note 4.2.1(c)-1 for ventilation apertures.

(c) When drainage apertures do not permit direct access to the goods, the device referred to in sub-paragraph (b) of this note will not be prescribed, on condition that the apertures are provided with a reliable baffle system readily accessible from inside the container.

4.4 Article 4

Paragraph 3 — Sheets made up of several pieces

4.4.3-1. (a) The several pieces constituting one sheet may be made of different materials conforming to the provisions of annex 4, article 4, paragraph 2.

(b) Any arrangement of the pieces which adequately guarantees security will be allowed in making up the sheet, on condition that the pieces are assembled in conformity with the requirements of annex 4, article 4.

Sub-paragraph 6(a)

4.4.6 (a)-1. Examples of a construction system for affixing container sheets and of a system of affixing sheets around containers' corner-castings, acceptable from a Customs point of view, are given in sketches No. 1, No. 2 and No. 3 appended to this annex.

Paragraph 8 — Textile-cored fastening ropes

4.4.8-1. For the purposes of this paragraph, ropes comprising a textile core surrounded by six strands consisting solely of steel wire and completely covering the core will be allowed on condition that the ropes (without taking into account the transparent plastic sheath, if any) are not less than 3 mm in diameter.

Sub-paragraph 10(c) — Sheet thongs

4.4.10.(c)-1. The following materials are regarded as suitable for making thongs:

- (a) leather;
- (b) textile materials including plastic-proofed or rubberized cloth, provided that such materials cannot after severance be welded or reconstituted without leaving visible traces.

4.4.10.(c)-2. The device shown in Sketch No. 3 appended to this annex meets the requirements of the last part of paragraph 10 of article 4 of annex 4. It also meets the requirements of annex 4, article 4, paragraph 6.

5. Annex 5

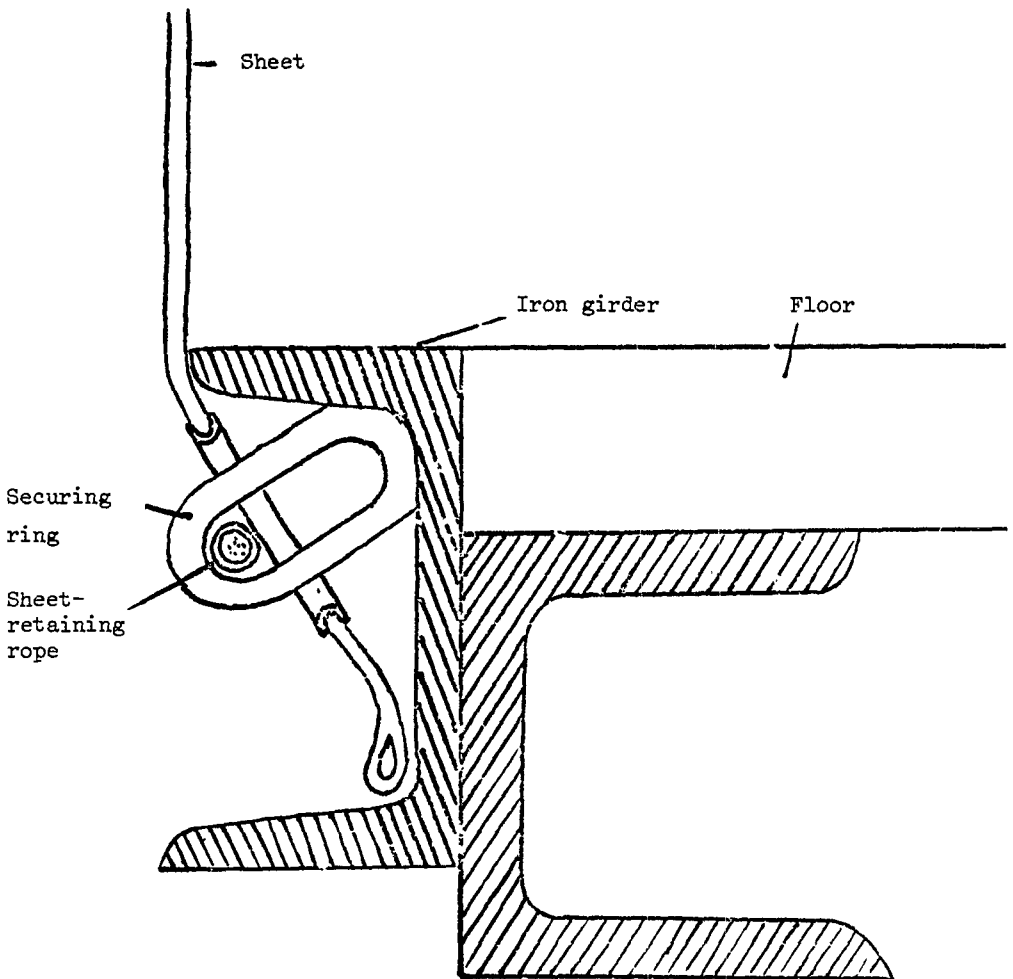
5.1. Paragraph 1 — Approval of a combination of sheeted containers

5.1-1. If two sheeted containers, approved for transport under Customs seal have been joined together in such a way that they form one container, covered by a single sheet and fulfilling the conditions for transport under Customs seal, a separate certificate of approval, or approval plate, shall not be required for the combination.

ANNEX 6 — *Sketch No. 1*

CONSTRUCTION DEVICE FOR AFFIXING CONTAINER SHEETS

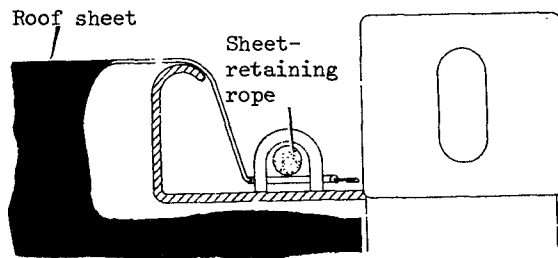
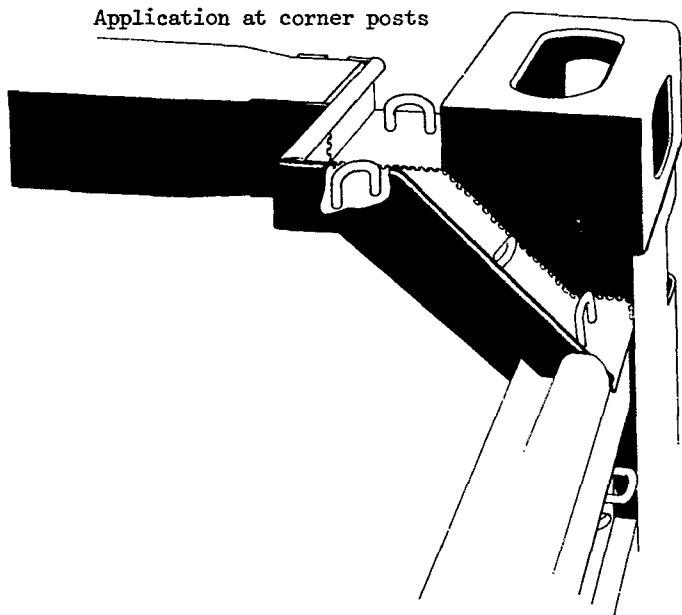
The device illustrated below meets the requirements of annex 4, article 4, sub-paragraph 6(a).



ANNEX 6 — *Sketch No. 2*

DEVICE FOR AFFIXING SHEETS AROUND CONTAINERS' CORNER-CASTINGS

The device illustrated below meets the requirements of annex 4, article 4, paragraph 6(a).

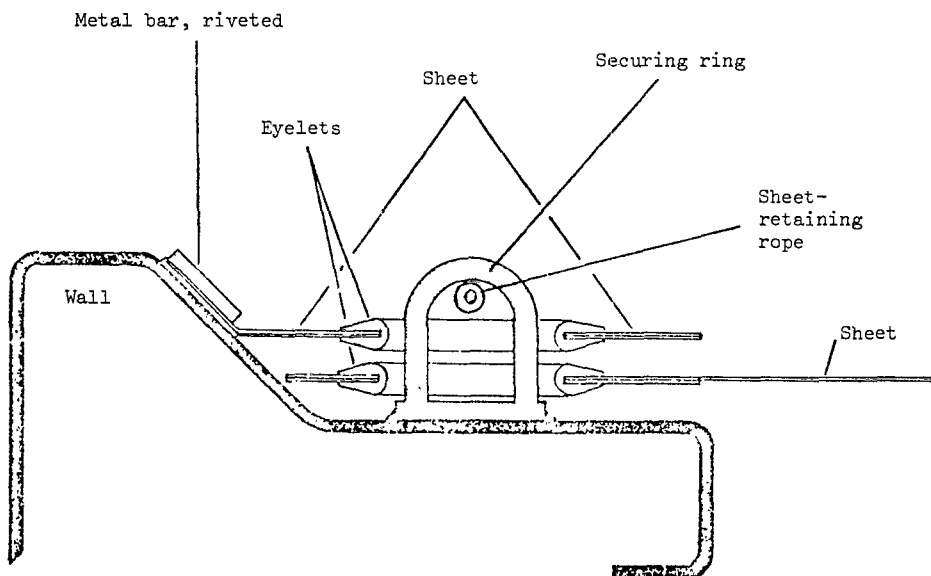


Sectional view

ANNEX 6 — Sketch No. 3

FURTHER EXAMPLE OF A METHOD OF AFFIXING CONTAINER SHEETS

The device illustrated below meets the requirements of the last part of paragraph 10 of article 4 of annex 4. It also meets the requirements of annex 4, article 4, paragraph 6.



ANNEX 7

COMPOSITION AND RULES OF PROCEDURE OF THE ADMINISTRATIVE COMMITTEE

Article 1. 1. The Contracting Parties shall be members of the Administrative Committee.

2. The Committee may decide that the competent administrations of States referred to in article 18 of the present Convention which are not Contracting Parties or representatives of international organizations may, for questions which interest them, attend the sessions of the Committee as observers.

Article 2. The Customs Co-operation Council shall provide the Committee with secretariat services.

Article 3. The Committee shall, at its first session each year, elect a chairman and a vice-chairman.

Article 4. The competent administrations of the Contracting Parties shall communicate to the Customs Co-operation Council proposed amendments to the present Convention and the reasons therefor, together with any requests for the inclusion of items on the agenda of the sessions of the Committee. The Customs Co-operation Council shall bring them to the attention of the competent administrations of the Contracting Parties and of the States referred to in article 18 of the present Convention which are not Contracting Parties.

Article 5. 1. The Customs Co-operation Council shall convene the Committee at the request of the competent administrations of at least five Contracting Parties. It shall circulate the draft agenda to the competent administrations of the Contracting Parties and of the States referred to in article 18 of the present Convention which are not Contracting Parties at least six weeks before the Committee meets.

2. On the decision of the Committee, taken by virtue of the provisions of article 1, paragraph 2, of these rules, the Customs Co-operation Council shall invite the competent administrations of the States referred to in article 18 of the present Convention which are not Contracting Parties and the international organizations concerned to be represented by observers at the sessions of the Committee.

Article 6. Proposals shall be put to the vote. Each Contracting Party represented at the meeting shall have one vote. Proposals other than amendments to the present Convention shall be adopted by the Committee by a majority of those present and voting. Amendments to the present Convention, and decisions referred to in article 21, paragraph 5, and article 22, paragraph 6, of the present Convention regarding entry into force of amendments, shall be adopted by a two-thirds majority of those present and voting.

Article 7. Before the closure of its session, the Committee shall adopt a report.

Article 8. In the absence of relevant provisions in this Annex, the Rules of Procedure of the Customs Co-operation Council shall be applicable unless the Committee decides otherwise.

PROTOCOL OF SIGNATURE

At the time of signing the present Convention of this day's date the undersigned, being duly authorized by their Governments, make the following declarations:

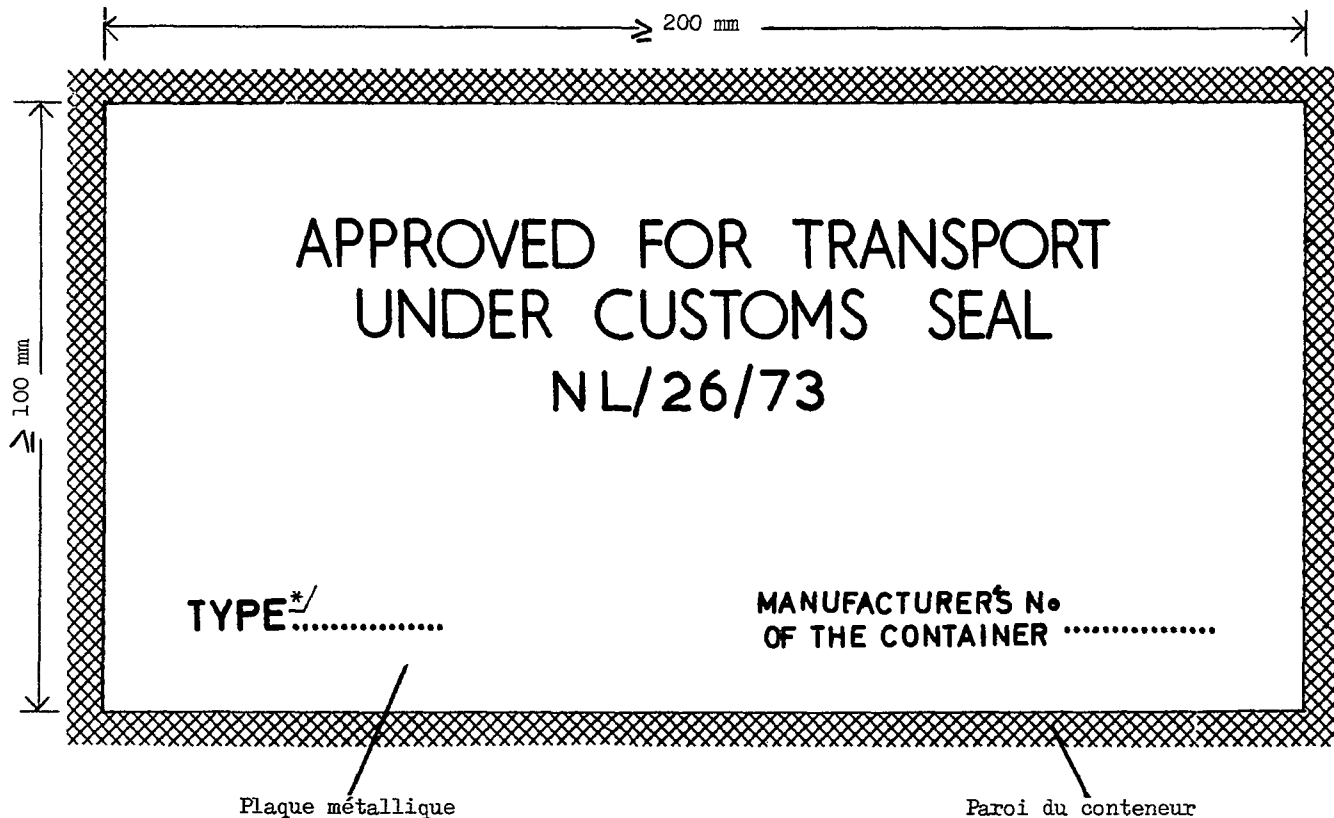
1. The addition, for the purpose of calculating import duties and taxes levied on importation, of the weight or value of containers granted temporary admission to the weight or value of the goods they contain, conflicts with the principle of the temporary admission of containers. The addition of a legally-determined tare-weight factor to the weight of goods conveyed in containers is permissible if it is made because of the absence of packaging or because of the nature of the packaging, and not because the goods are conveyed by container.

2. The terms of the present Convention shall not preclude the application of national provisions or of international agreements, not of a Customs nature, regulating the use of containers.

3. The one-cubic-metre limitation of the internal volume, provided for in article 1 of the present Convention, does not imply the application of more restrictive regulations to containers of a smaller volume, and the Contracting Parties shall endeavour to apply a temporary admission procedure to the latter similar to that which they apply to containers defined in the present Convention.

4. As far as the procedures for the temporary admission of containers provided for in articles 6, 7 and 8 of the present Convention are concerned, the Contracting Parties recognize that the abolition of all Customs documents and guarantees would enable them to achieve one of the main purposes of the present Convention, and they will make every effort to attain this.

Appendice 1 de l'annexe 5
Modèle n° I — Plaque d'agrément
(Version anglaise)



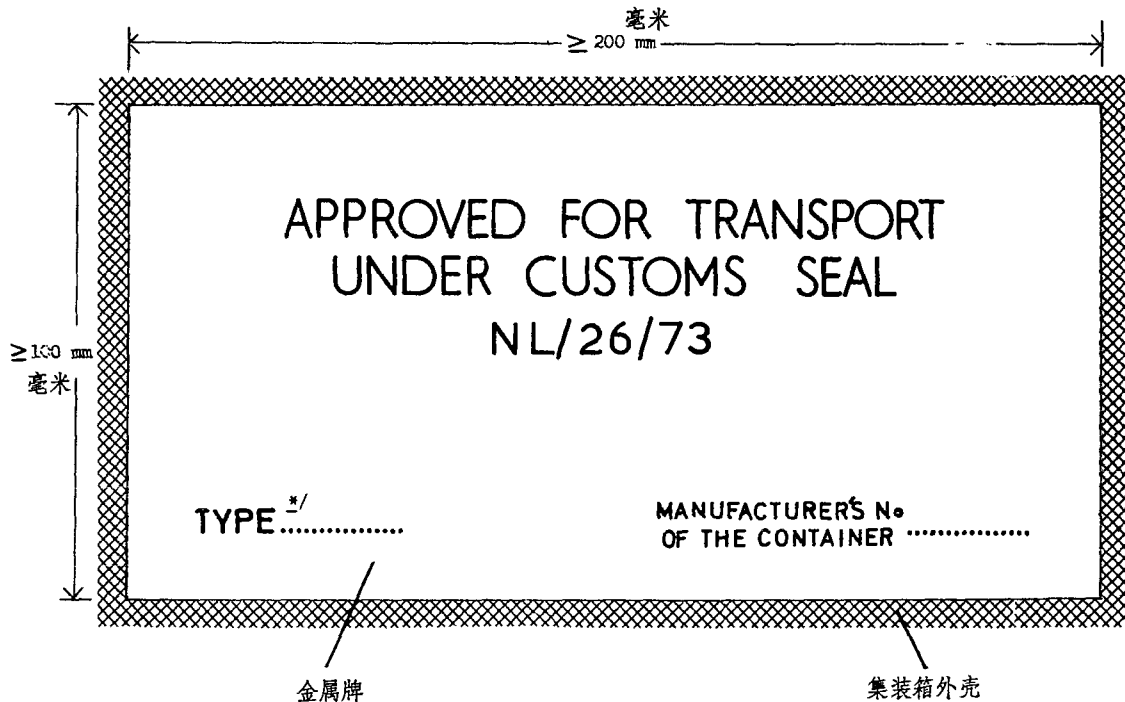
* Seulement en cas d'agrément par type de construction.

附件五的附录一

第一号式样

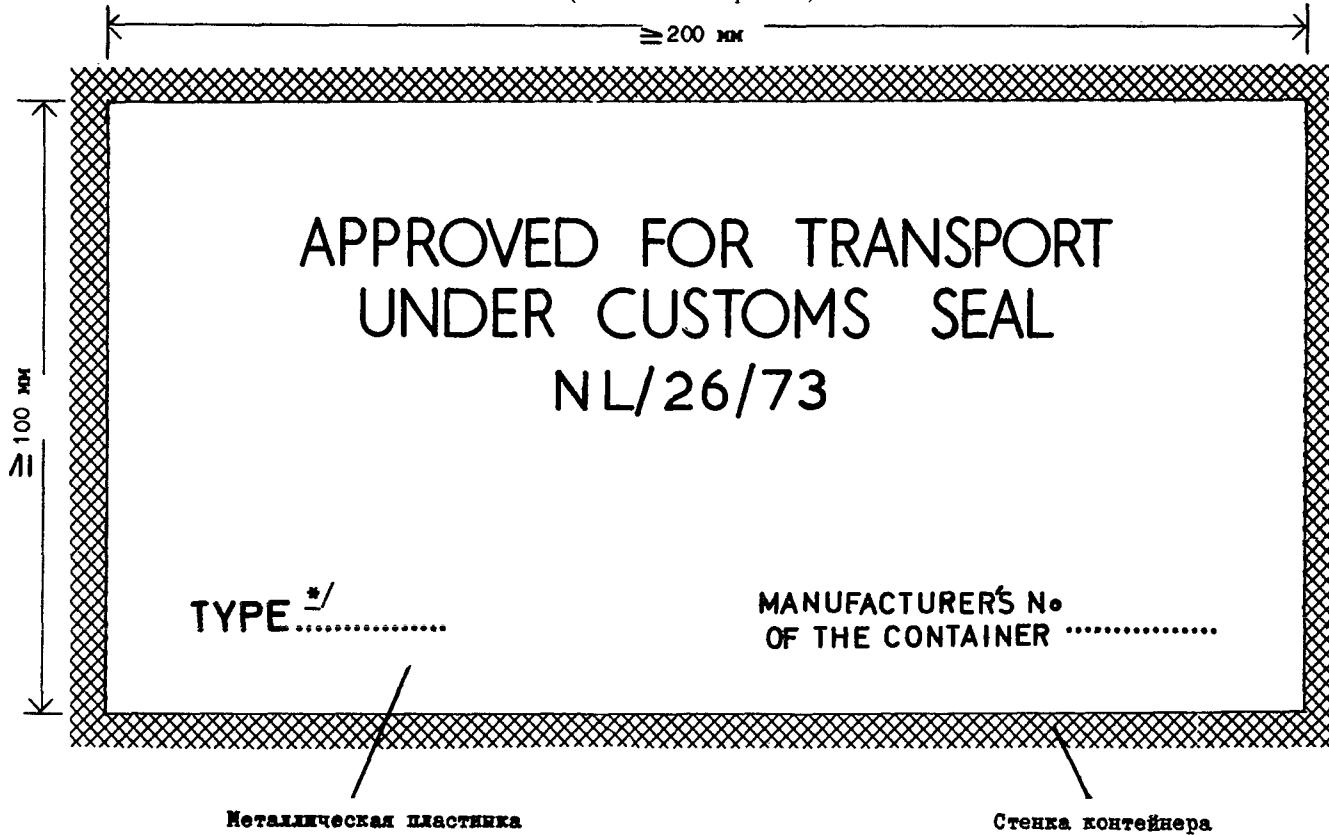
核准牌

(英文本)



*/ 限于按设计种类核准的情形

Добавление 1 к Приложению 5
Образец № I — Табличка о Допущении
(Английский вариант)

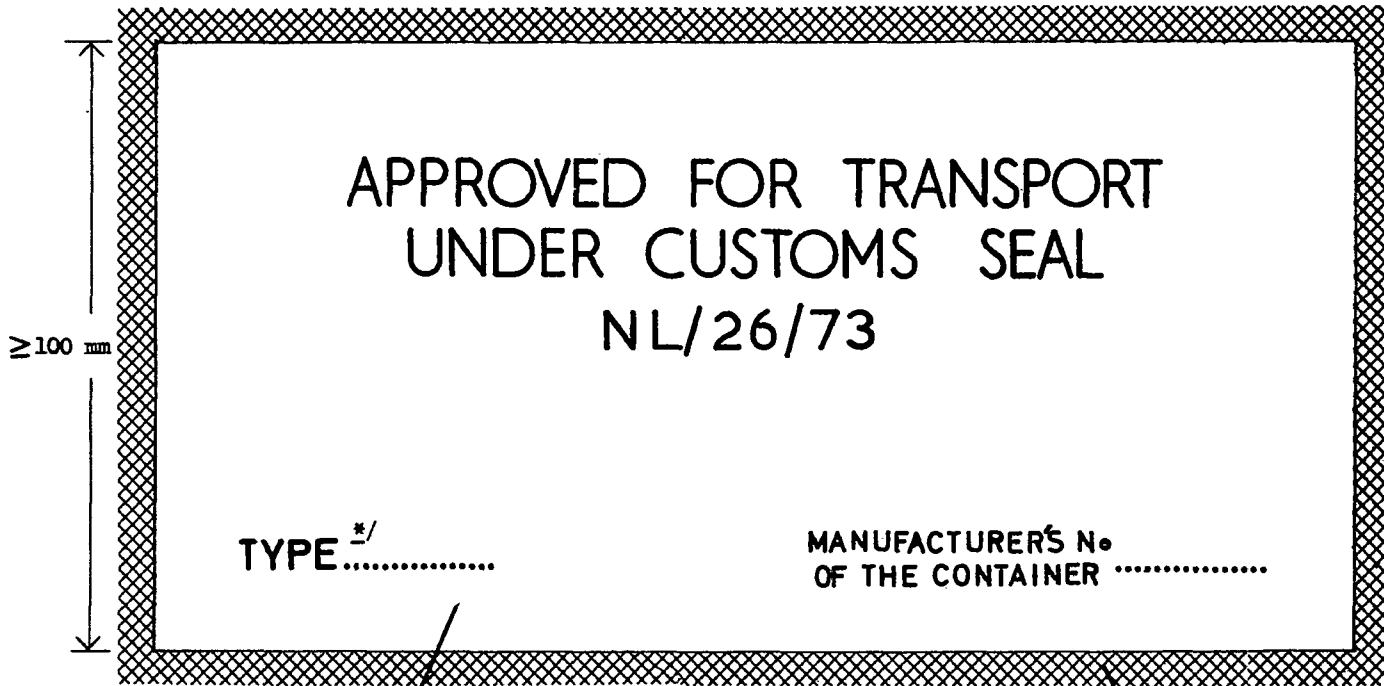


* Только в случае допущения по типу конструкции.

Apéndice 1 del anexo 5

Modelo N° I — Placa de Aprobación
(Versión inglesa)

≥ 200 mm



* Sólo en el caso de aprobación por modelo.

FOR AFGHANISTAN:
POUR L'AFGHANISTAN:
阿富汗:
За Афганистан:
POR EL AFGANISTÁN:

FOR ALBANIA:
POUR L'ALBANIE:
阿尔巴尼亚:
За Албанию:
POR ALBANIA:

FOR ALGERIA:
POUR L'ALGÉRIE:
阿尔及利亚:
За Алжир:
POR ARGELIA:

FOR ARGENTINA:
POUR L'ARGENTINE:
阿根廷:
За Аргентину:
POR LA ARGENTINA:

FOR AUSTRALIA:
POUR L'AUSTRALIE:
澳大利亚:
За Австралию:
POR AUSTRALIA:

FOR AUSTRIA:
POUR L'AUTRICHE:
奥地利:
За Австрию:
POR AUSTRIA:

Dr. PETER JANKOWITSCH
22 mai 1973

FOR BAHRAIN:
POUR BAHREÏN:
巴林:
За Бахрейн:
POR BAHREIN:

FOR BANGLADESH:
POUR LE BANGLADESH:
孟加拉国:
За Бангладеш:
POR BANGLADESH:

FOR BARBADOS:
POUR LA BARBADE:
巴巴多斯:
За Барбадос:
POR BARBADOS:

FOR BELGIUM:
POUR LA BELGIQUE:
比利时:
За Бельгию:
POR BÉLGICA:

FOR BHUTAN:
POUR LE BHOUTAN:
不丹:
За Бутан:
POR BHUTÁN:

FOR BOLIVIA:
POUR LA BOLIVIE:
玻利维亚:
За Боливию:
POR BOLIVIA:

FOR BOTSWANA:
POUR LE BOTSWANA:
博茨瓦納:
За Ботсвану:
POR BOTSWANA:

FOR BRAZIL:
POUR LE BRÉSIL:
巴西:
За Бразилию:
POR EL BRASIL:

FOR BULGARIA:
POUR LA BULGARIE:
保加利亚:
За България:
POR BULGARIA:

EMIL ZAKHARIEV

FOR BURMA:
POUR LA BIRMANIE:
緬甸:
За Бирму:
POR BIRMANIA:

FOR BURUNDI:
POUR LE BURUNDI:
布隆迪:
За Бурунди:
POR BURUNDI:

FOR THE BYELORUSSIAN SOVIET SOCIALIST REPUBLIC:
 POUR LA RÉPUBLIQUE SOCIALISTE SOVIÉTIQUE DE BIÉLORUSSIE:
 白俄罗斯苏维埃社会主义共和国:
 За Белорусскую Советскую Социалистическую Республику:
 POR LA REPÚBLICA SOCIALISTA SOVIÉTICA DE BIELORRUSIA:

V. SMIRNOV¹
 22 October 1973

FOR CAMEROON:
 POUR LE CAMÉROUN:
 喀麦隆:
 За Камерун:
 POR EL CAMERÚN:

FOR CANADA:
 POUR LE CANADA:
 加拿大:
 За Канаду:
 POR EL CANADÁ:

Subject to
 Sous réserve de } ratification
 JOHN L. MACANGUS

FOR THE CENTRAL AFRICAN REPUBLIC:
 POUR LA RÉPUBLIQUE CENTRAFRICAINE:
 中非共和国:
 За Центральноеафриканскую Республику:
 POR LA REPÚBLICA CENTROAFRICANA:

FOR CHAD:
 POUR LE TCHAD:
 乍得:
 За Чад:
 POR EL CHAD:

¹ See p. 253 of this volume for the texts of the reservations and declarations made upon signature — Voir p. 253 du présent volume pour les textes des réserves et déclarations faites lors de la signature.

FOR CHILE:
POUR LE CHILI:
智利:
За ЧИЛИ:
POR CHILE:

FOR CHINA:
POUR LA CHINE:
中国:
За Китай:
POR CHINA:

FOR COLOMBIA:
POUR LA COLOMBIE:
哥伦比亚:
За Колумбию:
POR COLOMBIA:

FOR THE CONGO:
POUR LE CONGO:
刚果
За Конго:
POR EL CONGO:

FOR COSTA RICA:
POUR LE COSTA RICA:
哥斯达黎加:
За Коста-Рику:
POR COSTA RICA:

FOR CUBA:
POUR CUBA:
古巴:
За Кубу:
POR CUBA:

FOR CYPRUS:
POUR CHYPRE:
塞浦路斯:
За Кипр:
POUR CHYPRE:

FOR CZECHOSLOVAKIA:
POUR LA TCHÉCOSLOVAQUIE:
捷克斯洛伐克:
За Чехословакию:
POUR CZECHOSLOVAQUIA:

Dr. LADISLAV ŠMÍD¹
27 Dec. 1973

FOR DAHOMEY:
POUR LE DAHOMEY:
达荷美:
За Дагомею:
POUR EL DAHOMEY:

FOR DEMOCRATIC YEMEN:
POUR LE YÉMEN DÉMOCRATIQUE:
民主也门:
За Демократический Йемен:
POUR EL YEMEN DÉMOCRÁTICO:

FOR DENMARK:
POUR LE DANEMARK:
丹麦:
За Данию:
POUR DINAMARCA:

¹ See p. 253 of this volume for the texts of the reservations and declarations made upon signature — Voir p. 253 du présent volume pour les textes des réserves et déclarations faites lors de la signature.

FOR THE DOMINICAN REPUBLIC:
POUR LA RÉPUBLIQUE DOMINICAINE:
多米尼加共和国:
За Доминиканскую Республику:
POR LA REPÚBLICA DOMINICANA:

FOR ECUADOR:
POUR L'ÉQUATEUR:
厄瓜多尔:
За Эквадор:
POR EL ECUADOR:

FOR EGYPT:
POUR L'ÉGYPTE:
埃及:
За Египет:
POR EGYPTE:

FOR EL SALVADOR:
POUR EL SALVADOR:
萨尔瓦多:
За Сальвадор:
POR EL SALVADOR:

FOR EQUATORIAL GUINEA:
POUR LA GUINÉE ÉQUATORIALE:
赤道几内亚:
За Экваториальную Гвинею:
POR GUINEA ECUATORIAL:

FOR ETHIOPIA:
POUR L'ÉTHIOPIE:
埃塞俄比亚:
За Эфиопию:
POR ÉTHIOPIA:

FOR THE FEDERAL REPUBLIC OF GERMANY:
POUR LA RÉPUBLIQUE FÉDÉRALE D'ALLEMAGNE:
德意志联邦共和国:
За Федеративную Республику Германии:
POR LA REPÚBLICA FEDERAL DE ALEMANIA:

FOR FIJI:
POUR FIDJI:
斐济:
За Фиджи:
POR FIJI:

FOR FINLAND:
POUR LA FINLANDE:
芬兰:
За Финляндию:
POR FINLANDIA:

W. BREITENSTEIN
26 December 1973

FOR FRANCE:
POUR LA FRANCE:
法国:
За Францию:
POR FRANCIA:

FOR GABON:
POUR LE GABON:
加蓬:
За Габон:
POR EL GABÓN:

FOR GAMBIA:
POUR LA GAMBIE:
冈比亚:
За Гамбию:
POR GAMBIA:

FOR THE GERMAN DEMOCRATIC REPUBLIC:
POUR LA RÉPUBLIQUE DÉMOCRATIQUE ALLEMANDE:
德意志民主共和国:
За Германскую Демократическую Республику:
POR LA REPÚBLICA DEMOCRÁTICA ALEMANA:

FOR GHANA:
POUR LE GHANA:
加纳:
За Гану:
POR GHANA:

FOR GREECE:
POUR LA GRÈCE:
希腊:
За Грецию:
POR GRECIA:

D. VELISSAROPOULOS

FOR GUATEMALA:
POUR LE GUATEMALA:
危地马拉:
За Гватемалу:
POR GUATEMALA:

FOR GUINEA:
POUR LA GUINÉE:
几内亚:
За Гвинею:
POR GUINEA:

FOR GUYANA:
POUR LA GUYANE:
圭亚那:
За Гвиану:
POR GUYANA:

FOR HAITI:
POUR HAÏTI:
海地:
За Гаити:
POR HAÏTÍ:

FOR THE HOLY SEE:
POUR LE SAINT-SIÈGE:
教廷:
За Святейший престол:
POR LA SANTA SEDE:

FOR HONDURAS:
POUR LE HONDURAS:
洪都拉斯:
За Гондурас:
POR HONDURAS:

FOR HUNGARY:
POUR LA HONGRIE:
匈牙利:
За Венгрию:
POR HUNGRIA:

KUZSEL Dr.¹
10.1.1973

FOR ICELAND:
POUR L'ISLANDE:
冰島:
За Исландию:
POR ISLANDIA:

¹ 10 January 1973 — 10 janvier 1973.

FOR INDIA:
POUR L'INDE:
印度:
За Индию:
POR LA INDIA:

FOR INDONESIA:
POUR L'INDONÉSIE:
印度尼西亚:
За Индонезию:
POR INDONESIA:

FOR IRAN:
POUR L'IRAN:
伊朗:
За Иран:
POR EL IRÁN:

FOR IRAQ:
POUR L'IRAK:
伊拉克:
За Ирак:
POR EL IRAK:

FOR IRELAND:
POUR L'IRLANDE:
爱尔兰:
За Ирландию:
POR IRLANDA:

FOR ISRAEL:
POUR ISRAËL:
以色列:
За Израиль:
POR ISRAEL:

FOR ITALY:
POUR L'ITALIE:
意大利:
За Италию:
POR ITALIA:

FOR THE IVORY COAST:
POUR LA CÔTE-D'IVOIRE:
象牙海岸:
За Берег Слоновой Кости:
POR LA COSTA DE MARFIL:

FOR JAMAICA:
POUR LA JAMAÏQUE:
牙买加:
За Ямайку:
POR JAMAICA:

FOR JAPAN:
POUR LE JAPON:
日本:
За Японию:
POR EL JAPÓN:

FOR JORDAN:
POUR LA JORDANIE:
约旦:
За Иорданию:
POR JORDANIA:

FOR KENYA:
POUR LE KENYA:
肯尼亚:
За Кению:
POR KENIA:

FOR THE KHMER REPUBLIC:
POUR LA RÉPUBLIQUE KHMÈRE:
高棉共和国:
За Кхмерскую Республику:
POR LA REPÚBLICA KHMER:

FOR KUWAIT:
POUR LE KOWEÏT:
科威特:
За Кувейт:
POR KUWAIT:

FOR LAOS:
POUR LE LAOS:
老挝:
За Лаос:
POR LAOS:

FOR LEBANON:
POUR LE LIBAN:
黎巴嫩:
За Ливан:
POR EL LÍBANO:

FOR LESOTHO:
POUR LE LESOTHO:
莱索托:
За Лесото:
POR LESOTHO:

FOR LIBERIA:
POUR LE LIBÉRIA:
利比里亚:
За Либерию:
POR LIBERIA:

FOR THE LIBYAN ARAB REPUBLIC:
POUR LA RÉPUBLIQUE ARABE LIBYENNE:
阿拉伯利比亚共和国:
За Ливийскую Арабскую Республику:
POR LA REPÚBLICA ARABE LIBIA:

FOR LIECHTENSTEIN:
POUR LE LIECHTENSTEIN:
列支敦士登:
За Лихтенштейн:
POR LIECHTENSTEIN:

FOR LUXEMBOURG:
POUR LE LUXEMBOURG:
卢森堡:
За Люксембург:
POR LUXEMBURGO:

FOR MADAGASCAR:
POUR MADAGASCAR:
马达加斯加:
За Мадагаскар:
POR MADAGASCAR:

FOR MALAWI:
POUR LE MALAWI:
马拉维:
За Малави:
POR MALAWI:

FOR MALAYSIA:
POUR LA MALAISIE:
马来西亚:
За Малайскую Федерацию:
POR MALASIA:

FOR THE MALDIVES:
POUR LES MALDIVES:
马尔代夫:
За Мальдивы:
POR LAS MALDIVAS:

FOR MALI:
POUR LE MALI:
马里:
За Мали:
POR MALÍ:

FOR MALTA:
POUR MALTE:
马耳他:
За Мальту:
POR MALTA:

FOR MAURITANIA:
POUR LA MAURITANIE:
毛里塔尼亚:
За Мавританию:
POR MAURITANIA:

FOR MAURITIUS:
POUR MAURICE:
毛里求斯:
За Маврикий:
POR MAURICIO:

FOR MEXICO:
POUR LE MEXIQUE:
墨西哥:
За Мексику:
POR MÉXICO:

FOR MONACO:
POUR MONACO:
摩纳哥:
За Монако:
POR MÓNACO:

FOR MONGOLIA:
POUR LA MONGOLIE:
蒙古:
За Монголию:
POR MONGOLIA:

FOR MOROCCO:
POUR LE MAROC:
摩洛哥:
За Марокко:
POR MARRUECOS:

FOR NAURU:
POUR NAURU:
瑙鲁:
За Науру:
POR NAURU:

FOR NEPAL:
POUR LE NÉPAL:
尼泊尔:
За Непал:
POR NEPAL:

FOR THE NETHERLANDS:
POUR LES PAYS-BAS:
荷兰:
За Нидерланды:
POR LOS PAÍSES BAJOS:

FOR NEW ZEALAND:
POUR LA NOUVELLE-ZÉLANDE:
新西兰:
За Новую Зеландию:
POR NUEVA ZELANDIA:

FOR NICARAGUA:
POUR LE NICARAGUA:
尼加拉瓜:
За Никарагуа:
POR NICARAGUA:

FOR THE NIGER:
POUR LE NIGER:
尼日尔:
За Нигер:
POR EL NÍGER:

FOR NIGERIA:
POUR LA NIGÉRIA:
尼日利亚:
За Нигерию:
POR NIGERIA:

FOR NORWAY:
POUR LA NORVÈGE:
挪威:
За Норвегию:
POR NORUEGA:

FOR OMAN:
POUR L'OMAN:
阿曼:
За Оман:
POR OMÁN:

FOR PAKISTAN:
POUR LE PAKISTAN:
巴基斯坦:
За Пакистан:
POR EL PAKISTÁN:

FOR PANAMA:
POUR LE PANAMA:
巴拿马:
За Панаму:
POR PANAMÁ:

FOR PARAGUAY:
POUR LE PARAGUAY:
巴拉圭:
За Парагвай:
POR EL PARAGUAY:

FOR PERU:
POUR LE PÉROU:
秘鲁:
За Перу:
POR EL PERÚ:

FOR THE PHILIPPINES:
POUR LES PHILIPPINES:
菲律宾:
За Филиппины:
POR FILIPINAS:

FOR POLAND:
POUR LA POLOGNE:
波兰:
За Польшу:
POR POLONIA:

E. WIŚNIEWSKI

FOR PORTUGAL:
POUR LE PORTUGAL:
葡萄牙:
За Португалию:
POR PORTUGAL:

FOR QATAR:
POUR LE QATAR:
卡塔尔:
За Катар:
POR QATAR:

FOR THE REPUBLIC OF KOREA:
POUR LA RÉPUBLIQUE DE CORÉE:
大韩民国:
За Корейскую Республику:
POR LA REPÚBLICA DE COREA:
TONG JIN PARK

FOR THE REPUBLIC OF VIET-NAM:
POUR LA RÉPUBLIQUE DU VIET-NAM:
越南共和国:
За Республику Вьетнам:
POR LA REPÚBLICA DE VIET-NAM:

FOR ROMANIA:
POUR LA ROUMANIE:
罗马尼亚:
За Румынию:
POR RUMANIA:

ION DATCU¹
11 déc. 1973

¹ See p. 253 of this volume for the texts of the reservations and declarations made upon signature — Voir p. 253 du présent volume pour les textes des réserves et déclarations faites lors de la signature.

FOR RWANDA:

POUR LE RWANDA:

卢旺达:

За Руанду:

FOR RWANDA:

FOR SAN MARINO:

POUR SAINT-MARIN:

圣马力诺:

За Сан-Марино:

FOR SAN MARINO:

FOR SAUDI ARABIA:

POUR L'ARABIE SAOUDITE:

沙特阿拉伯:

За Саудовскую Аравию:

FOR ARABIA SAUDITA:

FOR SENEGAL:

POUR LE SÉNÉGAL:

塞内加尔:

За Сенегал:

FOR EL SENEGAL:

FOR SIERRA LEONE:

POUR LE SIERRA LEONE:

塞拉勒窝内:

За Сьерра-Леоне:

FOR SIERRA LEONA:

FOR SINGAPORE:

POUR SINGAPOUR:

新加坡:

За Сингапур:

FOR SINGAPUR:

FOR SOMALIA:

POUR LA SOMALIE:

索马里:

За Сомали:

FOR SOMALIA:

FOR SOUTH AFRICA:

POUR L'AFRIQUE DU SUD:

南非:

За Южную Африку:

FOR SUDÁFRICA:

FOR SPAIN:

POUR L'ESPAGNE:

西班牙:

За Испанию:

FOR ESPAÑA:

FOR SRI LANKA:

POUR SRI LANKA:

斯里兰卡:

За Шри Ланка:

FOR SRI LANKA:

FOR THE SUDAN:

POUR LE SOUDAN:

苏丹:

За Судан:

FOR EL SUDÁN:

FOR SWAZILAND:

POUR LE SOUAZILAND:

斯威士兰:

За Свазиленд:

FOR SWAZILANDIA:

FOR SWEDEN:
POUR LA SUÈDE:
瑞典:
За Швецию:
POR SUECIA:

FOR SWITZERLAND:
POUR LA SUISSE:
瑞士:
За Швейцарию:
POR SUIZA:

FÉLIX-CLÉMENT VANEY

FOR THE SYRIAN ARAB REPUBLIC:
POUR LA RÉPUBLIQUE ARABE SYRIENNE:
阿拉伯叙利亚共和国:
За Сирийскую Арабскую Республику:
POR LA REPÚBLICA ARABE SIRIA:

FOR THAILAND:
POUR LA THAÏLANDE:
泰国:
За Таиланд:
POR TAILANDIA:

FOR TOGO:
POUR LE TOGO:
多哥:
За Того:
POR EL TOGO:

FOR TONGA:
POUR LES TONGA:
汤加:
За Тонга:
POR TONGA:

FOR TRINIDAD AND TOBAGO:
 POUR LA TRINITÉ-ET-TOBAGO:
 特立尼达和多巴哥:
 За Тринидад и Тобаго:
 FOR TRINIDAD Y TABAGO:

FOR TUNISIA:
 POUR LA TUNISIE:
 突尼斯:
 За Тунис:
 FOR TÚNEZ:

FOR TURKEY:
 POUR LA TURQUIE:
 土耳其:
 За Турцию:
 FOR TURQUÍA:

(Avec des réserves sur les 3^e et
 4^e paragraphes de l'article 19.)¹

A. COŞKUN KİRCA

FOR UGANDA:
 POUR L'OUGANDA:
 乌干达:
 За Уганду:
 FOR UGANDA:

FOR THE UKRAINIAN SOVIET SOCIALIST REPUBLIC:
 POUR LA RÉPUBLIQUE SOCIALISTE SOVIÉTIQUE D'UKRAÏNE:
 乌克兰苏维埃社会主义共和国:
 За Українську Советську Соціалістическу Республіку:
 POR LA REPÚBLICA SOCIALISTA SOVIÉTICA DE UCRAÏNA:

V. MARTYNYENKO²
 22 Oct. 1973

¹ With reservations to paragraphs 3 and 4 of article 19.

² See p. 253 of this volume for the texts of the reservations and declarations made upon signature — Voir p. 253 du présent volume pour les textes des réserves et déclarations faites lors de la signature.

FOR THE UNION OF SOVIET SOCIALIST REPUBLICS:
POUR L'UNION DES RÉPUBLIQUES SOCIALISTES SOVIÉTIQUES:
苏维埃社会主义共和国联盟:
За Союз Советских Социалистических Республик:
FOR LA UNIÓN DE REPÚBLICAS SOCIALISTAS SOVIÉTICAS:

YA. MALIK¹
18 October 1973

FOR THE UNITED ARAB EMIRATES:
POUR LES ÉMIRATS ARABES UNIS:
阿拉伯联合酋长国:
За Объединенные Арабские Эмираты
FOR LOS EMIRATOS ARABES UNIDOS:

FOR THE UNITED KINGDOM OF GREAT BRITAIN AND NORTHERN IRELAND:
POUR LE ROYAUME-UNI DE GRANDE-BRETAGNE ET D'IRLANDE DU NORD:
大不列颠及北爱尔兰联合王国:
За Соединенное Королевство Великобритании и Северной Ирландии:
FOR EL REINO UNIDO DE GRAN BRETAÑA E IRLANDA DEL NORTE:

FOR THE UNITED REPUBLIC OF TANZANIA:
POUR LA RÉPUBLIQUE-UNIE DE TANZANIE:
坦桑尼亚联合共和国:
За Объединенную Республику Танзания:
FOR LA REPÚBLICA UNIDA DE TANZANIA:

FOR THE UNITED STATES OF AMERICA:
POUR LES ÉTATS-UNIS D'AMÉRIQUE:
美利坚合众国:
За Соединенные Штаты Америки:
FOR LOS ESTADOS UNIDOS DE AMÉRICA:
Subject to ratification²
AARON M. REESE
JOHN B. O'LOUGHLIN

¹ See p. 253 for the texts of the reservations and declarations made upon signature — Voir p. 253 du présent volume pour les textes des réserves et déclarations faites lors de la signature.

² Sous réserve de ratification.

FOR THE UPPER VOLTA:
POUR LA HAUTE-VOLTA:
上沃尔特:
За Верхнюю Вольту:
POR EL ALTO VOLTA:

FOR URUGUAY:
POUR L'URUGUAY:
乌拉圭:
За Уругвай:
POR EL URUGUAY:

FOR VENEZUELA:
POUR LE VENEZUELA:
委内瑞拉:
За Венесуэлу:
POR VENEZUELA:

FOR WESTERN SAMOA:
POUR LE SAMOA-OCCIDENTAL:
西萨摩亚:
За Западное Самоа:
POR SAMOA OCCIDENTAL:

FOR YEMEN:
POUR LE YÉMEN:
也门:
За Йемен:
POR EL YEMEN:

FOR YUGOSLAVIA:
POUR LA YOUGOSLAVIE:
南斯拉夫:
За Югославию:
POR YUGOSLAVIA:

FOR ZAIRE:
POUR LE ZAÏRE:
扎伊尔:
За Заир:
POR EL ZAIRE:

FOR ZAMBIA:
POUR LA ZAMBIE:
赞比亚:
За Замбию:
POR ZAMBIA:

DECLARATIONS MADE
UPON SIGNATUREDÉCLARATIONS FAITES
LORS DE LA SIGNATUREBYELORUSSIAN SOVIET
SOCIALIST REPUBLICRÉPUBLIQUE SOCIALISTE
SOVIÉTIQUE DE BIÉLORUSSIE

[RUSSIAN TEXT — TEXTE RUSSE]

«Правительство Белорусской Советской Социалистической Республики считает, что положения статьи 18 Таможенной конвенции, касающейся контейнеров, 1972 года, ограничивающие участие в ней некоторых государств, противоречат общепризнанному принципу суверенного равенства государств.

«Что касается положений статьи 25 относительно арбитражного порядка разрешения споров о толковании и применении конвенции, то Правительство БССР заявляет, что принятие данного положения не должно толковаться как изменяющее точку зрения Правительства БССР о том, что передача спора на рассмотрение арбитража может иметь место лишь с согласия всех спорящих Сторон в каждом отдельном случае.»

[TRANSLATION]

[TRADUCTION]

The Government of the Byelorussian Soviet Socialist Republic considers that the provisions of article 18 of the Customs Convention on Containers, 1972, which bar certain States from participation in it, are contrary to the universally recognized principle of the sovereign equality of States.

Le Gouvernement de la République socialiste soviétique de Biélorussie estime que les dispositions de l'article 18 de la Convention douanière de 1972 relative aux conteneurs, qui empêchent certains pays d'adhérer à ladite Convention, sont contraires au principe universellement reconnu de l'égalité souveraine des Etats.

As to the provisions of article 25 regarding the settlement by arbitration of disputes concerning the interpretation and application of the Convention, the Government of the Byelorussian SSR declares that the adoption of this provision should not be interpreted as changing the view of the Government of the Byelorussian SSR that a dispute may be referred to an arbitration tribunal for consideration only with the consent of all parties to the dispute in each individual case.

En ce qui concerne les dispositions de l'article 25 touchant le règlement arbitral des conflits survenus à propos de l'interprétation et de l'application de la Convention, le Gouvernement de la RSS de Biélorussie déclare que son acceptation desdites dispositions ne doit pas être interprétée comme modifiant sa position à cet égard, à savoir que, dans chaque cas particulier, un conflit ne peut être porté devant un tribunal d'arbitrage qu'avec l'accord de toutes les parties intéressées.

CZECHOSLOVAKIA

TCHÉCOSLOVAQUIE

[TRADUCTION — TRANSLATION]

“The Government of the Czechoslovak Socialist Republic considers that the provisions of Article 18 of the Customs Convention on Containers, 1972 done at Geneva

Le Gouvernement de la République socialiste tchécoslovaque considère que les dispositions de l'article 18 de la Convention douanière relative aux conteneurs, 1972,

1972, which bar certain States from participation in it, are contrary to the universally recognized principle of the sovereign equality of States.”

conclue à Genève en 1972, aux termes desquelles certains Etats sont exclus de la participation à ladite Convention, sont contraires au principe universellement reconnu de l'égalité souveraine des Etats.

ROMANIA

ROUMANIE

[TRANSLATION — TRADUCTION]

The Government of the Socialist Republic of Romania considers that the provisions of article 18 of the Customs Convention on Containers, 1972, concluded at Geneva on 2 December 1972, are not in accordance with the principle that multilateral treaties, the aims and objectives of which concern the world community as a whole, should be open to participation by all States.

«Le Gouvernement de la République Socialiste de Roumanie considère que les dispositions de l'article 18 de la Convention douanière relative aux conteneurs, conclue à Genève le 2 décembre 1972, ne sont pas en concordance avec le principe selon lequel les traités internationaux multilatéraux dont l'objet et le but intéressent la communauté internationale dans son ensemble doivent être ouverts à la participation universelle.»

UKRAINIAN SOVIET SOCIALIST REPUBLIC

RÉPUBLIQUE SOCIALISTE SOVIÉTIQUE D'UKRAINE

[UKRAINIAN TEXT — TEXTE UKRAINIEN]

«Уряд Української Радянської Соціалістичної Республіки вважає, що положення статті 18 Митної конвенції, що стосується контейнерів, 1972 року, які обмежують участь в ній деяких держав, протирічать загальновизнаному принципу суверенної рівності держав.

«Що стосується положень статті 25 відносно арбітражного порядку вирішення спорів про тлумачення і застосування конвенції, то Уряд Української РСР заявляє, що прийняття даного положення не повинно тлумачитись як таке, що змінює точку зору Уряду Української РСР про те, що передача спору на розгляд арбітражу може мати місце лише за згодою всіх Сторін, які ведуть спір, у кожному окремому випадку.»

[RUSSIAN TEXT — TEXTE RUSSE]

«Правительство Украинской Советской Социалистической Республики считает, что положения статьи 18 Таможенной конвенции, касающейся контейнеров, 1972 года, ограничивающие участие в ней некоторых государств, противоречат общепризнанному принципу суверенного равенства государств.

Что касается положений статьи 25 относительно арбитражного порядка разрешения споров о толковании и применении конвенции, то Правительство УССР заявляет, что принятие данного положения не должно толковаться как изменяющее точку зрения Правительства УССР о том, что передача спора на рассмотрение арбитража может иметь место лишь с согласия всех спорящих сторон в каждом отдельном случае.»

[TRANSLATION]

The Government of the Ukrainian Soviet Socialist Republic considers that the provisions of article 18 of the Customs Convention on Containers, 1972, which bar certain States from participation in it, are contrary to the universally recognized principle of the sovereign equality of States.

As to the provisions of article 25 regarding the settlement by arbitration of disputes concerning the interpretation and application of the Convention, the Government of the Ukrainian SSR declares that the adoption of this provision should not be interpreted as changing the view of the Government of the Ukrainian SSR that a dispute may be referred to an arbitration tribunal for consideration only with the consent of all parties to the dispute in each individual case.

*UNION OF SOVIET
SOCIALIST REPUBLICS*

[TRADUCTION]

Le Gouvernement de la République socialiste soviétique d'Ukraine estime que les dispositions de l'article 18 de la Convention douanière de 1972 relative aux conteneurs, qui empêchent certains pays d'adhérer à ladite Convention, sont contraires au principe universellement reconnu de l'égalité souveraine des Etats.

En ce qui concerne les dispositions de l'article 25 touchant le règlement arbitral des conflits survenus à propos de l'interprétation et de l'application de la Convention, le Gouvernement de la RSS d'Ukraine déclare que son acceptation desdites dispositions ne doit pas être interprétée comme modifiant sa position à cet égard, à savoir que, dans chaque cas particulier, un conflit ne peut être porté devant un tribunal d'arbitrage qu'avec l'accord de toutes les parties intéressées.

*UNION DES RÉPUBLIQUES
SOCIALISTES SOVIÉTIQUES*

[RUSSIAN TEXT — TEXTE RUSSE]

«Правительство Союза Советских Социалистических Республик считает, что положения статьи 18 Таможенной конвенции, касающейся контейнеров, 1972 г., ограничивающие участие в ней некоторых государств, противоречат общепризнанному принципу суверенного равенства государств.

«Что касается положений статьи 25 относительно арбитражного порядка разрешения споров о толковании и применении конвенции, то Правительство СССР заявляет, что принятие данного положения не должно толковаться как изменяющее точку зрения Правительства СССР о том, что передача спора на рассмотрение арбитража может иметь место лишь с согласия всех спорящих сторон в каждом отдельном случае.»

[TRANSLATION]

The Government of the Union of Soviet Socialist Republics considers that the provisions of article 18 of the Customs Convention on Containers, 1972, which bar certain States from participation in it, are contrary to the universally recognized principle of the sovereign equality of States.

As to the provisions of article 25 regarding the settlement by arbitration of disputes concerning the interpretation and application of the Convention, the Government of

[TRADUCTION]

Le Gouvernement de l'Union des Républiques socialistes soviétiques estime que les dispositions de l'article 18 de la Convention douanière de 1972 relative aux conteneurs, qui empêchent certains pays d'adhérer à ladite Convention, sont contraires au principe universellement reconnu de l'égalité souveraine des Etats.

En ce qui concerne les dispositions de l'article 25 touchant le règlement arbitral des conflits survenus à propos de l'interprétation et de l'application de la

the USSR declares that the adoption of this provision should not be interpreted as changing the view of the Government of the USSR that a dispute may be referred to an arbitration tribunal for consideration only with the consent of all parties to the dispute in each individual case.

Convention, le Gouvernement de l'URSS déclare que son acceptation desdites dispositions ne doit pas être interprétée comme modifiant sa position à cet égard, à savoir que, dans chaque cas particulier, un conflit ne peut être porté devant un tribunal d'arbitrage qu'avec l'accord de toutes les parties intéressées.

DECLARATIONS AND RESERVATIONS MADE UPON RATIFICATION OR ACCESSION (a)

DÉCLARATIONS ET RÉSERVES FAITES LORS DE LA RATIFICATION OU DE L'ADHÉSION (a)

CZECHOSLOVAKIA

TCHÉCOSLOVAQUIE

[For the text of the declaration, see page 250 of this volume.]

[Pour le texte de la déclaration, voir p. 250 du présent volume.]

GERMAN DEMOCRATIC REPUBLIC (a)

RÉPUBLIQUE DÉMOCRATIQUE ALLEMANDE (a)

[GERMAN TEXT — TEXTE ALLEMAND]

„Die Deutsche Demokratische Republik hält es für erforderlich, darauf hinzuweisen, daß Artikel 18 einigen Staaten die Möglichkeit nimmt, Mitglied dieser Konvention zu werden.

„Die Konvention regelt Fragen, die die Interessen aller Staaten berühren, und muß daher auch allen Staaten zur Teilnahme offenstehen, die sich in ihrer Politik von den Grundsätzen und Zielen der Charta der Vereinten Nationen leiten lassen.“

[TRANSLATION]

[TRADUCTION]

The German Democratic Republic considers it necessary to point out that article 18 deprives some States of the possibility to become parties to this Convention.

The Convention regulates questions affecting the interests of all States; therefore it must be open for all States which are guided in their policies by the principles and purposes of the United Nations Charter to become parties to it.

La République démocratique allemande estime qu'il est nécessaire de signaler que l'article 18 prive certains Etats de la possibilité de devenir parties à la Convention.

La Convention règle des questions qui affectent les intérêts de tous les Etats; par conséquent, elle doit être ouverte à la participation de tous les Etats qui s'inspirent, dans leur politique, des principes et des buts de la Charte des Nations Unies.

[GERMAN TEXT — TEXTE ALLEMAND]

„Bezüglich der Bestimmungen des Artikels 25 der Zollkonvention über Container, 1972, über die Beilegung von Streitigkeiten hinsichtlich der Auslegung oder Anwendung der Konvention durch Schiedsspruch erklärt die Deutsche Demokratische Republik, daß

die Annahme dieser Bestimmung nicht so ausgelegt werden sollte, als ändere sich die Auffassung der Deutschen Demokratischen Republik, daß ein Streitfall einem Schiedsgericht zur Erörterung nur mit Zustimmung aller am Streitfall beteiligten Seiten übergeben werden kann.“

[TRANSLATION]

With regard to the provisions of article 25 of the Customs Convention on Containers, 1972, dealing with the settlement of disputes concerning the interpretation or application of the Convention by arbitration, the German Democratic Republic declares that the acceptance of this provision should not be interpreted in such a way as if the view of the German Democratic Republic changed its position that a dispute may be referred to an arbitration tribunal for consideration only with the consent of all parties to the dispute.

[TRADUCTION]

En ce qui concerne les dispositions de l'article 25 de la Convention douanière de 1972 relative aux conteneurs, qui a trait au règlement par voie d'arbitrage des différends concernant l'interprétation et l'application de la Convention, la République démocratique allemande déclare que l'acceptation de cette disposition ne doit pas être interprétée comme signifiant que la République démocratique allemande a modifié sa position selon laquelle un différend ne peut être porté devant un tribunal arbitral qu'avec le consentement de toutes les parties au différend.

ROMANIA

[For the text of the declaration, see p. 251 of this volume.]

ROUMANIE

[Pour le texte de la déclaration, voir p. 251 du présent volume.]

SPAIN (a)

Reservation:

ESPAGNE (a)

Réserve :

[SPANISH TEXT — TEXTE ESPAGNOL]

«. . . al contenido del artículo 9.º, relativo a utilización de los contenedores importados temporalmente para el transporte de mercancías en tráfico interno en el sentido de que dicha utilización no será permitida en España . . . »

[TRANSLATION]

. . . with respect to the contents of article 9, concerning containers granted temporary admission for the carriage of goods in internal traffic, to the effect that such admission will not be granted in Spain.

[TRADUCTION]

. . . quant à la teneur de l'article 9 relatif à l'utilisation des conteneurs admis temporairement pour le transport de marchandises en trafic interne, réserve en vertu de laquelle cette utilisation ne sera pas autorisée en Espagne.

RATIFICATION

Instrument deposited on:

10 December 1975

CANADA

(Signature affixed on 5 December 1972.
With effect from 10 June 1976.)

Registered ex officio on 10 December 1975.

RATIFICATION

Instrument déposé le :

10 décembre 1975

CANADA

(Signature apposée le 5 décembre 1972.
Avec effet au 10 juin 1976.)

Enregistré d'office le 10 décembre 1975.